

# INLET STACK FITTINGS FOR HUB AND SPIGOT SYSTEMS

**FOR USE WITH FLOOR MOUNTED BACK OUTLET WATER CLOSETS**

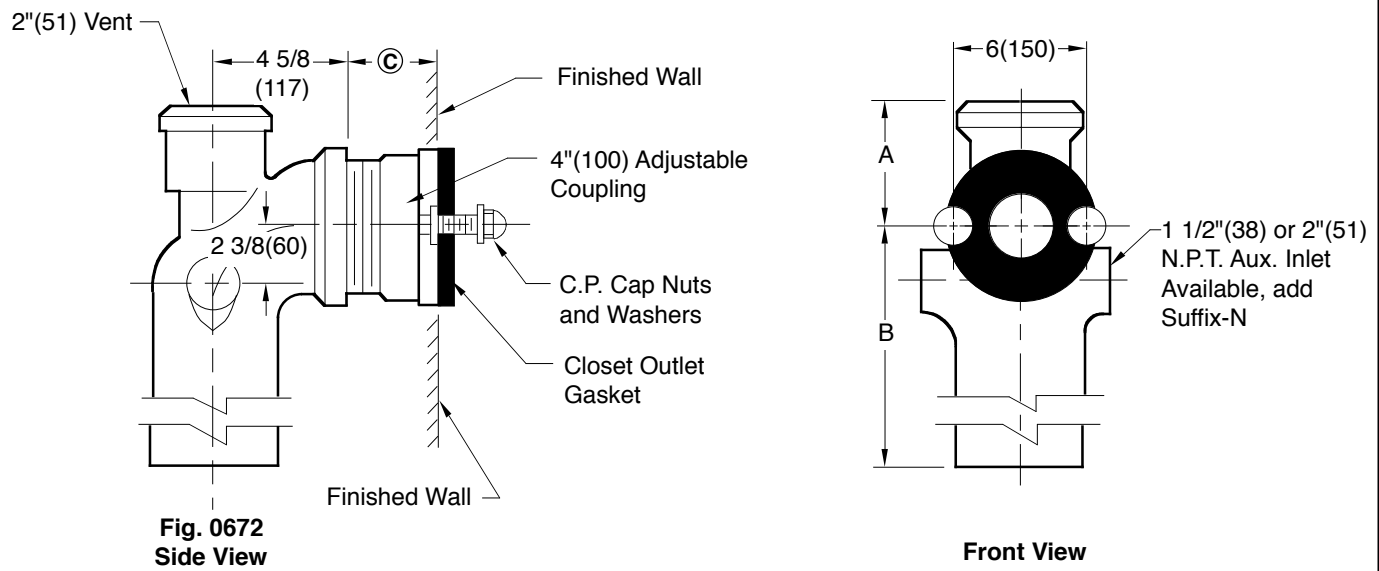


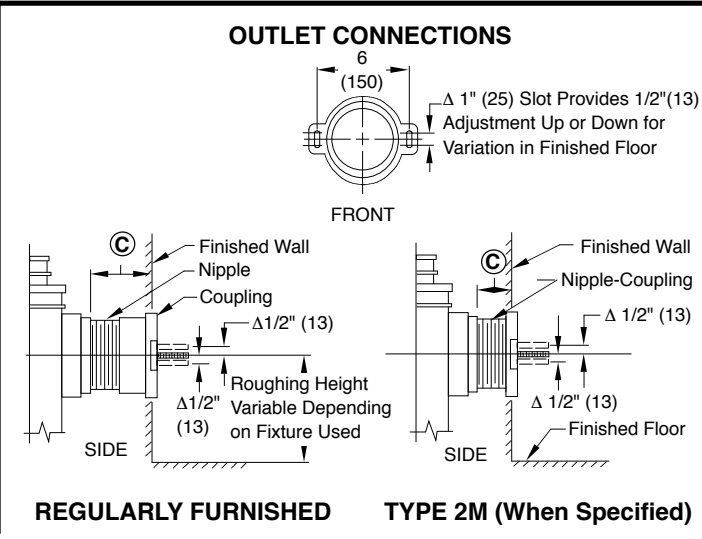
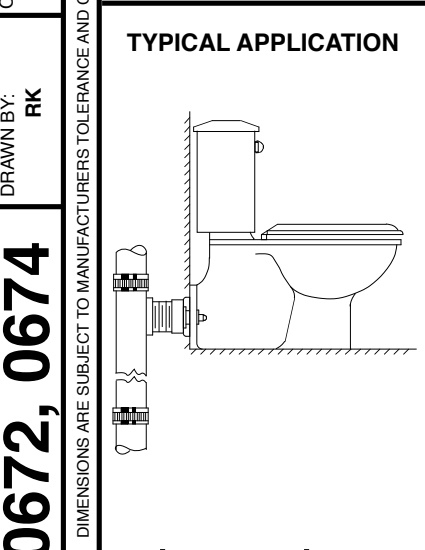
Fig. 0672 . . . . . 04" (100) CAULK Long Barrel w/2" (51) Vent  
 Fig. 0674 . . . . . 04" (100) CAULK Long Barrel w/4" (100) Vent

Fig. No.	Service		Weight		Threaded	
	A	B	A	B	A	B
0672	5(125)	8(205)	5(125)	6(150)		
0674	5 1/2(140)	8(205)	5 1/2(140)	6(150)		

Ⓒ Dimension is regularly furnished 4" (100) long. Coupling provides 3/4" (19) adjustment in either direction.

**NOTE:** Dimensions shown in parentheses are in millimeters.

The water closet gasket regularly furnished is designed to fit water closet outlet dimensions and configurations shown in ANSI Standard A112.19.2. If gasket is not found to be compatible to fixture due to nonconformance of said fixture to ANSI A112.19.2, then fixture manufacturer shall be consulted for a suitable gasket recommendation. Jay R. Smith assumes no liability for connections to fixtures which do not conform to these standards.



**NIPPLE LENGTHS AVAILABLE**

NIPPLE LENGTH	AVAILABLE		
	MIN	Ⓒ	MAX
2 1/2 (64)	2 3/4 (70)	3 3/4 (95)	
*3 1/4 (83)	3 (76)	4 1/2 (115)	
4 1/2 (115)	4 1/4 (110)	5 3/4 (145)	
5 1/4 (135)	5 (125)	6 1/2 (165)	
6 1/4 (160)	6 (150)	7 1/2 (190)	
7 (180)	6 3/4 (170)	8 1/4 (210)	
8 1/4 (210)	8 (205)	9 1/2 (240)	
10 (255)	9 3/4 (250)	11 1/4 (285)	
12 (305)	11 3/4 (300)	13 1/4 (335)	
15 (380)	14 3/4 (375)	16 1/4 (415)	
18 (455)	17 3/4 (450)	19 1/4 (490)	

\* Regularly Furnished

REV.	DATE	DESCRIPTION	BY	CKD. BY	WEIGHT POUNDS	VOLUME CUBIC FEET	FIGURE NUMBER
F	11-4-14	Removed 0672B/0674B	TBW	BW			<b>0672, 0674</b>
E	5-14-13	Revised Text	TBW	CL			
D	6-10-97	Chg'd Table	EMB	BS			
C	3-27-97	Added Millimeters	EMB	BS			