



# DRINKING FOUNTAIN

## A151-VR Series

BARRIER FREE, VANDAL RESISTANT,  
WALL MOUNTED DRINKING FOUNTAIN

### STANDARD FEATURES

- Child or Adult ADA Compliant (when properly installed)
- 18 gage, 304 Stainless Steel Basin and Flush Mounted Chrome Plated Brass Button
- Polished Stainless Steel, Anti-Rotation, Non-Squirt Bubbler
- 100-Mesh Inlet Strainer
- Vandal Resistant Screws
- Integral P-trap
- Mounting Plate with Hardware



### SUGGESTED SPECIFICATIONS

Model A151400S-VR is a Vandal Resistant Wall Mounted Drinking Fountain made from 18 gage, 304 stainless steel with a brushed finish. Unit shall be activated by Chrome Plated Brass Pushbutton using less than 5 pounds of force. Bubbler shall be polished stainless steel with a non-squirt feature and operate on a water pressure range of 20-105 PSIG. Unit shall have a uniquely designed, two-piece contoured Bowl with P-trap integral to the unit. Unit is certified to ANSI A117.1, Public Law 111-380 (NO-LEAD), CHSC 116875 and NSF/ANSI 61, Section 9. Fixture meets ADA, ADA Standing Person, and ADA Child requirements when mounted appropriately.

### MODEL:

(Must Specify)

#### FLEXIBLE BUBBLER (0.3 GPM)

- A151200F-VR Bronze finish
- A151300F-VR Gold finish (High Polish)
- A151400F-VR Satin stainless finish

#### LEAD-FREE STAINLESS STEEL BUBBLER

- A151200S-VR Bronze finish
- A151300S-VR Gold finish (High Polish)
- A151400S-VR Satin stainless finish (Shown)

### OPTIONS

(additional costs may be incurred)

- AD1 Access door
- AP1 Access panel for a single fountain
- BP2 Back panel for single contoured fountain
- CSC Concealed support carrier
- FRA1 Freeze resistant valve
- HP High polished stainless steel
- MF1 Mounting frame for a single fountain
- SO Sensor Operated
- A9100080-A 8 GPH remote water chiller  
(Recommended to be with 10 Feet of Fixture)

Complies with the following standards:



Federal Public Law 111-380 (No Lead)



Member of U.S. Green Building Council



Recyclable Product



Water Conserving Product

**WARNING:** Cancer and Reproductive Harm - [www.P65Warnings.ca.gov](http://www.P65Warnings.ca.gov)

MURDOCK MFG. • 15125 Proctor Avenue • City of Industry, CA 91746 USA  
Phone 800-453-7465 or 626-333-2543 • Fax 626-855-4860 • [www.murdockmfg.com](http://www.murdockmfg.com)

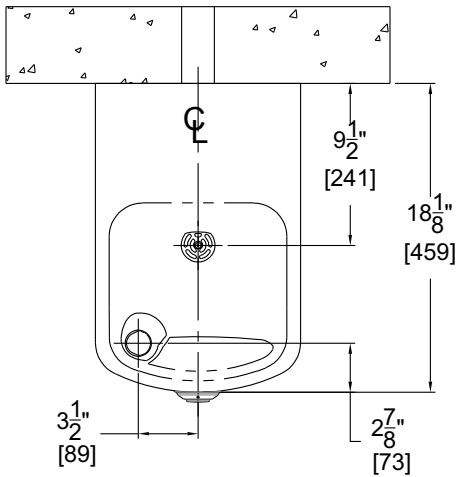
Member of MORRIS GROUP INTERNATIONAL



# DRINKING FOUNTAIN

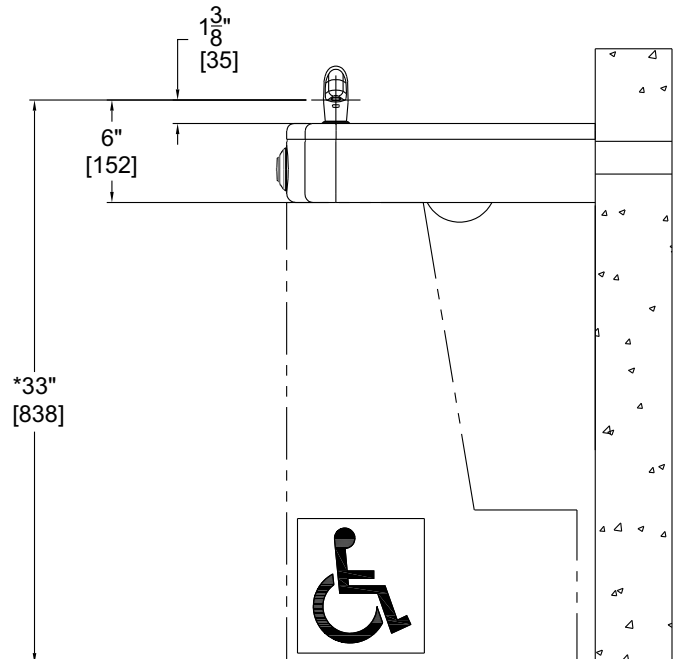
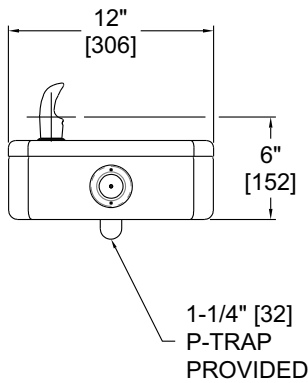
## A151-VR Series

BARRIER FREE, VANDAL RESISTANT,  
WALL MOUNTED DRINKING FOUNTAIN



**GENERAL NOTES:**

1. ALL DIMENSIONS ARE IN INCHES [MM].
- \*2. DIMENSIONS SHOWN ARE FOR RECOMMENDED HEIGHT. ADJUST VERTICAL DIMENSIONS AS NECESSARY TO COMPLY WITH FEDERAL, STATE, & LOCAL CODES.
3. STOP VALVE NOT PROVIDED.



Murdock Mfg.™ warrants that its products are free from defects in material or workmanship under normal use and service for a period of one year from date of shipment. Murdock's liability under this warranty shall be discharged solely by replacement or repair of defective material, provided Murdock™ is notified in writing within one year from date of shipment, F.O.B. Industry, California.

**SELECTION SUMMARY  
& APPROVAL FOR  
MANUFACTURING**

Model Number & Options \_\_\_\_\_ Quantity \_\_\_\_\_

Company \_\_\_\_\_

Contact \_\_\_\_\_ Title \_\_\_\_\_

Signature (Approval for Manufacturing) \_\_\_\_\_ Date \_\_\_\_\_

All dimensions are subject to manufactures tolerance of plus or minus 1/2" nominal and subject to change without notice. Murdock assumes no responsibility for use of void or superseded data. Dimensions may change with the addition of optional accessories. Murdock Mfg.™, Member of Morris Group International™. Please visit [www.murdockmfg.com](http://www.murdockmfg.com) for most current specifications.