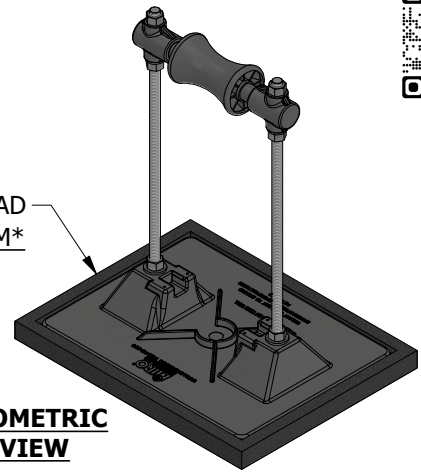
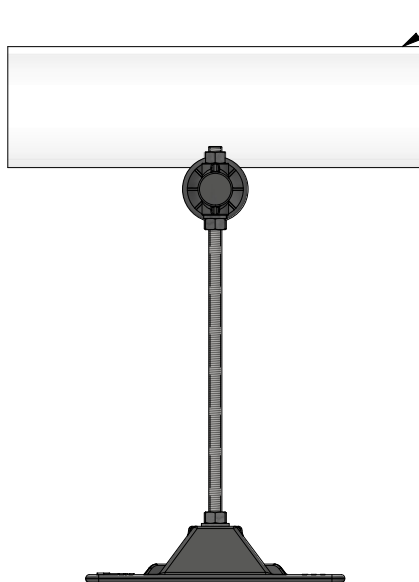


TOP VIEW

7 1/2" x 10" SUPPORT PAD
ACCESSORY ITEM



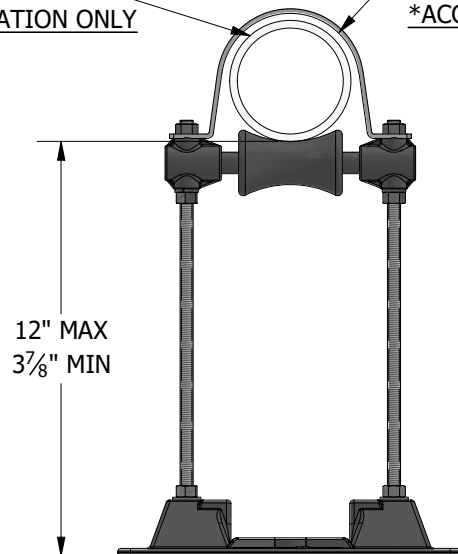
ISOMETRIC VIEW



SIDE VIEW

3" SCH. 40 PIPE
ILLUSTRATION ONLY

3-RAH PIPE GUIDE
ACCESSORY ITEM



END VIEW

ACCESSORIES

- Refer to 3-RAH Pipe Guide specification for available sizes.
- 7 1/2 " x 10" Support pad
- Eternabond® 2-sided tape

PRODUCT DESCRIPTION

A "roller-bearing" pipe support used to support roof-mounted gas pipes, electrical conduit, solar piping and other mechanical piping. Unique design absorbs thermal expansion and contraction of pipes thus preventing damage to the roof membrane. Pipes rest on a self-lubricating polycarbonate resin axle and roller.

KEY INFORMATION

- Optimally designed for a 3" pipe.
- Maximum pipe OD (with insulation) is 5-1/2".
- Adjustable from the factory set maximum height of 12" down to a minimum height of 3-7/8".
- Maximum load is 172 lbs. (3.0 psi) Make certain each pipe support is properly elevated to evenly distribute weight at all pipe support locations.
- Unit weight: 1.96 lbs.
- 7 per case (14 lbs.)
- Recommended spacing is not to exceed 10' centers depending upon the load.

MATERIAL INFORMATION

- Base Material: Polycarbonate
- All-thread: 3/8"-16 SS
- Roller and Axle Material: Polycarbonate
- Hardware: HDG

The information contained in this drawing is the sole property of MIRO Industries, Inc. Any reproduction in part or as a whole without written permission of MIRO Industries, Inc. is prohibited.

DATE:
JAN 2022

3-RAH-12