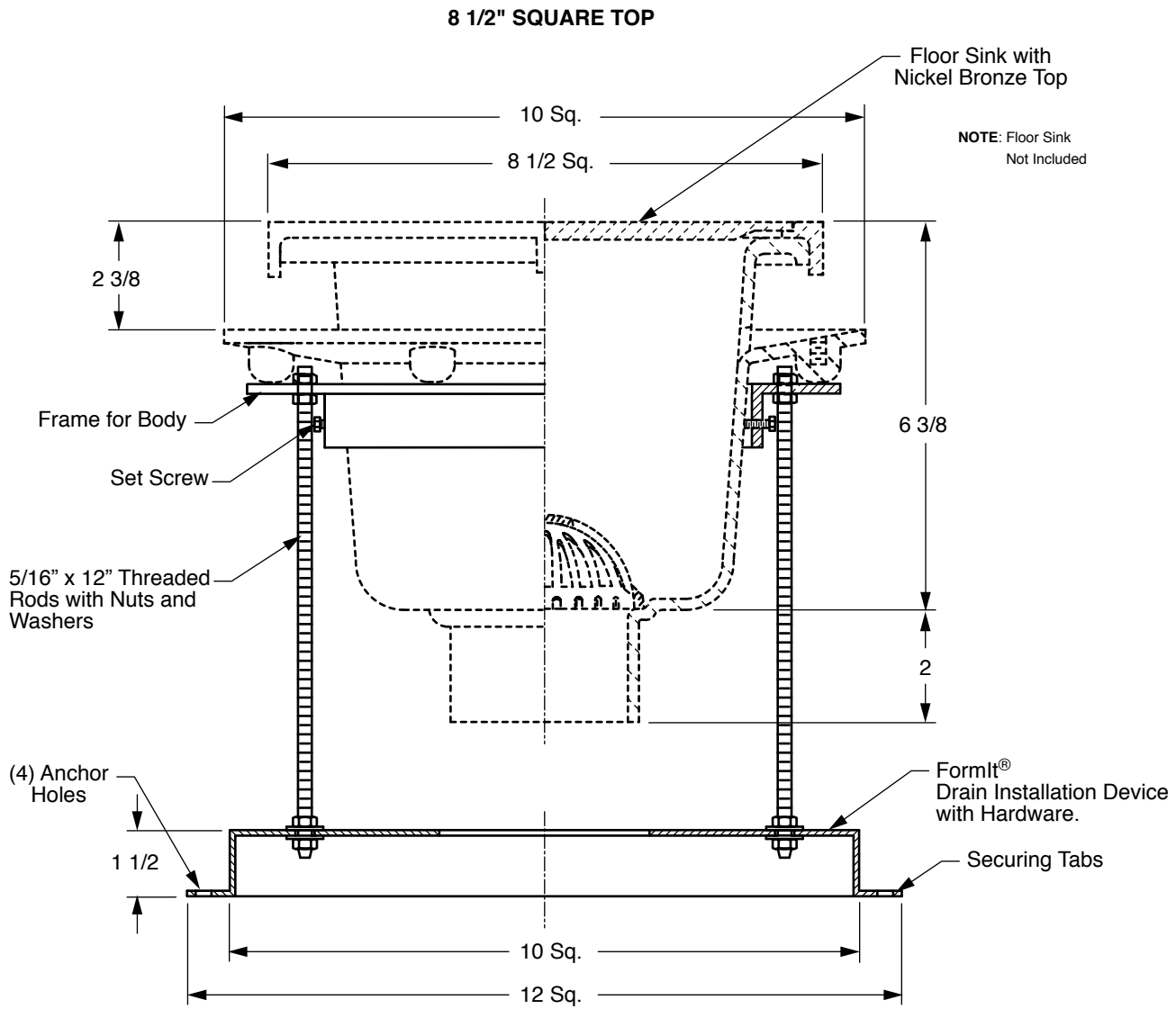


FormIt® DRAIN INSTALLATION DEVICE FOR 8 1/2" SQUARE ENAMELED FLOOR SINK SERIES

FUNCTION: The Jay R. Smith Mfg. Co.® FormIt® Drain Installation Device is designed to stabilize the drain and provide adjustment during the installation process and allows final connection of outlet piping to drain after the concrete pour.

DRAWING NUMBER: **s3038-DID**
 SIZE: **A**
 SCALE: **NONE**
 DATE: **8-28-08**
 APPROVED BY: **BW**
 CHECKED BY: **BW**
 DRAWN BY: **RN**
3038-DID
 DIMENSIONS ARE SUBJECT TO MANUFACTURERS TOLERANCE AND CHANGE WITHOUT NOTICE
 WE CAN ASSUME NO RESPONSIBILITY FOR USE OF SUPERSEDED OR VOID DATA



A (Pipe Size) = 02, 03 or 04

REGULARLY FURNISHED:
 FormIt® Drain Installation Device
 For 8 1/2" Square Enameled Floor
 Sink Series.

FIGURE NUMBER	B A	7-7-10 05/14/09	Revised™ to® Added Function	RN JJ	BW BW	WEIGHT POUNDS	VOLUME CUBIC FEET	FIGURE NUMBER
	REV.	DATE	DESCRIPTION	BY	CKD. BY			3038-DID