

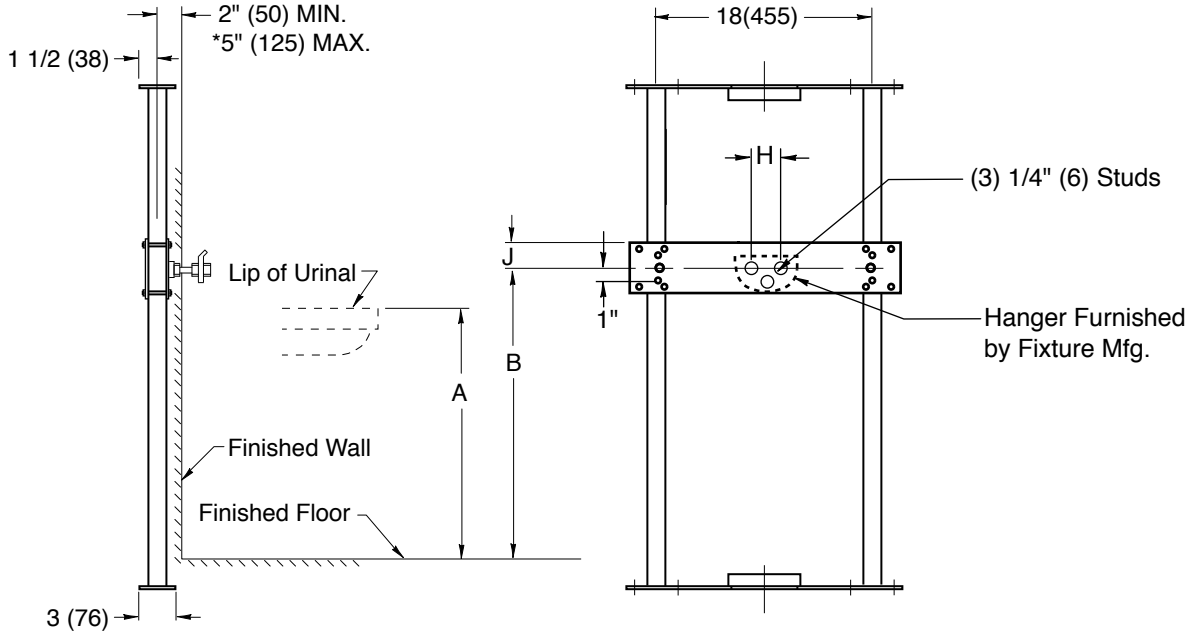


JAY R. SMITH MFG. CO.
 MEMBER OF MORRIS GROUP INTERNATIONAL
 POST OFFICE BOX 3237
 MONTGOMERY, ALABAMA 36109-0237 (USA)
 TEL: 334-277-8520 FAX: 334-272-7396 www.jrsmith.com



LOCATION

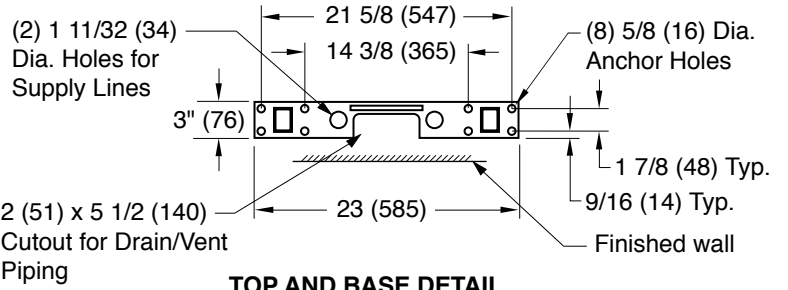
**LABOR SAVER® URINAL SUPPORT FLOOR MOUNTED TYPE
 WITH TOP SUPPORTING PLATE
 FOR BLOW-OUT AND WASHOUT URINALS WITH CONCEALED WALL HANGER**



NOTE: The rough-in dimensions listed on this drawing are based on current information available to Jay R. Smith by the fixture manufacturers. We recommend that you verify these dimensions with the fixture manufacturer. We will not accept responsibility for rough-in dimension changes by the fixture manufacturer.

NOTE: *This dimension can be increased when fixture support is to be installed behind the wall (specify when required and wall thickness).

NOTE: Dimensions shown in parenthesis are in millimeters.



TOP AND BASE DETAIL

ROUGH-IN TABLE

FIXTURE MFG.	NAME	NUMBER	SIZE	A	B	H	J

0623

DIMENSIONS ARE SUBJECT TO MANUFACTURER'S TOLERANCE AND CHANGE WITHOUT NOTICE.

WE CAN ASSUME NO RESPONSIBILITY FOR USE OF SUPERSEDED OR VOID DATA.

DRAWING NUMBER: s0623
 SIZE: A
 SCALE: NONE
 DATE: 04/10/01
 APPROVED BY: AM
 CHECKED BY: CR
 DRAWN BY: JJ

REV.	DATE	DESCRIPTION	BY	CKD. BY
D	9-27-10	Added ® to LABOR SAVER	RN	CL
C	05/25/04	Changed Top Plate	JJ	AM
B	12/05/02	Revised per George Flegel	JJ	AM
A	12/19/01	Changed Hole Size in Base	JJ	AM

WEIGHT POUNDS	VOLUME CUBIC FEET

FIGURE NUMBER
0623