

G



JAY R. SMITH MFG. CO.
 MEMBER OF MORRIS GROUP INTERNATIONAL
 POST OFFICE BOX 3237
 MONTGOMERY, ALABAMA 36109-0237 (USA)
 TEL: 334-277-8520 FAX: 334-272-7396 www.jrsmith.com



MEMBER OF:



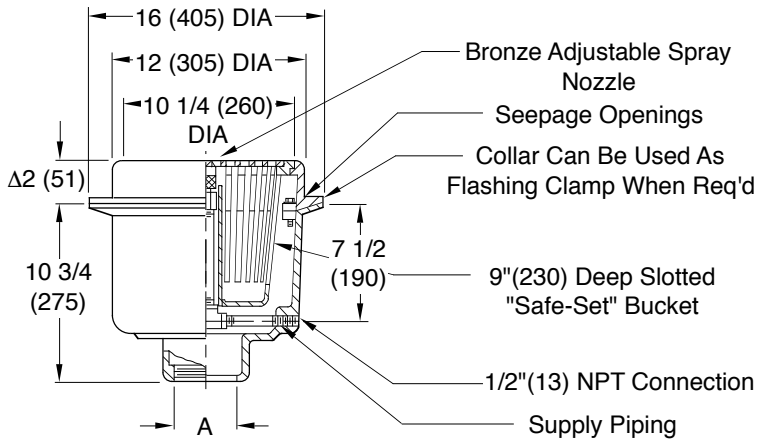
LOCATION

SPECIAL PURPOSE DRAINS

COMBINATION GARBAGE CAN WASHER AND DRAIN

FUNCTION: Used in areas where it is desired to wash the interior of garbage and other cans, and prevent the solids from entering the waste line. The exclusive Smith design combines an engineered floor drain with a "single orifice" can washing nozzle. The spray from the nozzle is adjustable from a solid stream to a driving fine mist, providing a means for thoroughly scouring the interior of the can. The slotted sediment bucket catches all debris, and provides ample drainage. "Safe-Set" design ensures bucket replacement after cleaning since top grate cannot be inserted unless bucket is in place.

Free Area
 28.5 SQ IN
 (184) SQ CM



A (PIPE SIZE) = 03(75), 04(100), 05(125) or 06(150)

- Fig. 2690CCAULK OUTLET
 Fig. 2690T.....THREADED OUTLET
 Fig. 2690Y.....NO-HUB OUTLET

Δ add 3/8"(10) when bronze top is specified.

NOTE: For water supply central boxes, see Fig. 3380 & 3385.

REGULARLY FURNISHED:

All Galvanized Cast Iron Body with Flashing Collar, Loose Set Grate, Sediment Bucket, Pipe Assembly with Chrome Plated Bronze Adjustable Spray Nozzle.

VARIATIONS:

- Stainless Steel Mesh
 Lined Bucket -BS
 Square Top -S
 Quad Close Trap Seal (Specify Fig. 2692)

OPTIONAL MATERIALS:

- Duco Cast Iron -CI
 Nickel Bronze Top -NB*
 Polished Bronze Top -PB*

NOTE: Dimensions shown in parentheses are in millimeters.

*When Specified, "Safe-Set" not available.

DRAWING NUMBER
S2690SIZE
ASCALE:
NONEDATE:
5-17-85APPROVED BY:
TDCHECKED BY:
TDDRAWN BY:
CM

2690

FIGURE NUMBER

WE CAN ASSUME NO RESPONSIBILITY FOR USE OF SUPERSEDED OR VOID DATA

DIMENSIONS ARE SUBJECT TO MANUFACTURERS TOLERANCE AND CHANGE WITHOUT NOTICE

REV.	DATE	DESCRIPTION	BY	CKD. BY	WEIGHT POUNDS	VOLUME CUBIC FEET	FIGURE NUMBER
							2690



WARNING: Cancer and Reproductive Harm - www.P65Warnings.ca.gov