

2" Round Stress Plate Deklite™ PLT-DL-R-2-4B



Application

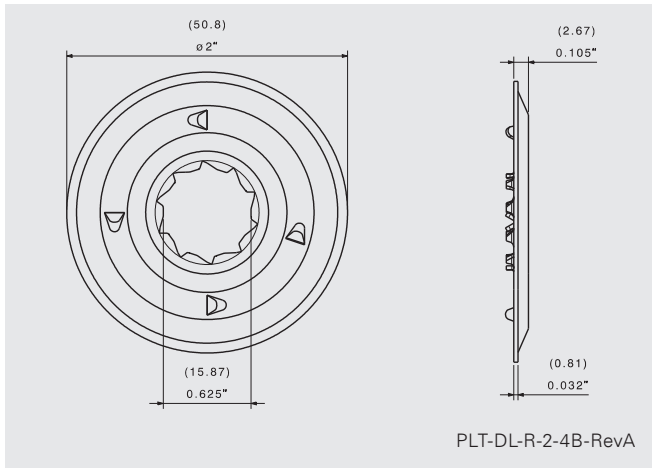
Membrane seam plate for use with Deklite™ auger for lightweight roof decks: lightweight concrete, Tectum and gypsum

Features and Benefits

- Plate designed to lock into Deklite™ auger upon installation
- Barb design creates maximum wind uplift rating
- 22 ga. Galvalume® steel

Product Selection

Material No.	Item	Description	Carton Wt. (lbs.)	Carton Qty.
792743	2" Round Deklite™ Seam Plate	PLT-DL-R-2-4B-B	18	500



Specifications

OD: 2" (51 mm) Round
 Width: 0.032" (0.81 mm)
 Finish: AZ55 Galvalume®

Approvals

State of Florida: FL20311
 16-0712.08

Installation and Application Considerations

Use in applications approved by the roofing system manufacturer. Use with Deklite™ auger.