

C

SMITH® JAY R. SMITH MFG. CO.®
 MEMBER OF MORRIS GROUP INTERNATIONAL
 POST OFFICE BOX 3237
 MONTGOMERY, ALABAMA 36109-0237 (USA)
 TEL: 334-277-8520 FAX: 334-272-7396 www.jrsmith.com

CUSTOMER
DRIVEN
SINCE 1926

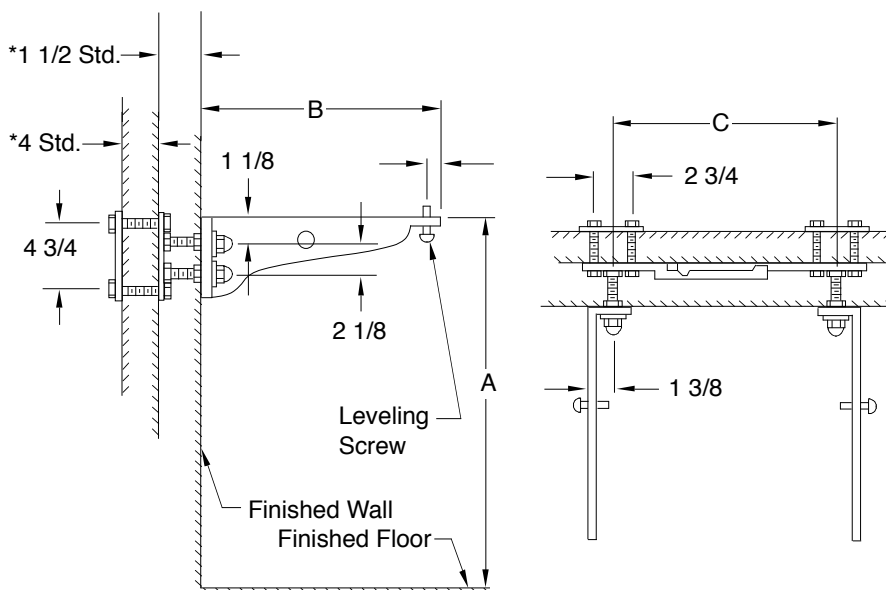


MEMBER OF:

LOCATION

LAVATORY SUPPORTS WITH EXPOSED ARMS

WALL MOUNTED



**Fig. 0772 . . . WITH OFFSET ACID RESISTANT COATED EXPOSED ARMS
FOR HIGH BACK ENAMELED IRON LAVATORIES SET ON
MASONRY OR STUD WALL**

* This dimension can be increased when required (specify wall thickness).

ROUGHING-IN TABLE

FIXTURE MFG.	NAME	NUMBER	SIZE	A	B	C	D
AM. STD.	REGALYN	4867.016	19 x 17	30 5/8	11	14 1/8	8
AM. STD.	REGALYN	4867.024	20 x 18	30 5/8	15	15 1/8	8
AM. STD.	REGALYN	4869.012	19 x 17	30 5/8	11	14 1/8	8
AM. STD.	REGALYN	4869.020	20 x 18	30 5/8	15	15 1/8	8
CRANE	FERMONT	1-506	19 x 17	30 3/4	11	14 1/4	9
CRANE	FERMONT	1-506	20 x 18	30 3/4	15	15 1/4	11
KOHLER	HAMPTON	K-2705	19 x 17	30 7/8	11	13 1/4	8
KOHLER	HAMPTON	K-2705	22 x 19	30 3/4	15	14 3/4	10
KOHLER	DELTON	K-2736, 7	18 x 15	30 3/4	11	12 7/8	9 1/2
KOHLER	CHESTER	K-2792	19 x 17	30 3/4	11	12 7/8	8
KOHLER	HUDSON	K-2861, 3	19 x 17	30 1/2	11	13 1/2	9
KOHLER	HUDSON	K-2861, 3	20 x 18	30 3/4	15	14	9

NOTE: The rough-in dimensions listed on this drawing are based on current information available to Jay R. Smith by the fixture manufacturers. We recommend that you verify these dimensions with the fixture manufacturer. We will not accept responsibility for rough-in dimension changes by the fixture manufacturer.

DRAWING NUMBER
S0772SIZE
ASCALE:
NONEDATE:
4-28-65

APPROVED BY:

CHECKED BY:
RPDRAWN BY:
SL

0772

FIGURE
NUMBERWE CAN ASSUME NO RESPONSIBILITY FOR USE OF SUPERSEDED OR VOID DATA
DIMENSIONS ARE SUBJECT TO MANUFACTURERS TOLERANCE AND CHANGE WITHOUT NOTICE

REV.	DATE	DESCRIPTION	BY	CKD. BY
C	9-26-94	Submittal Update	EMB	BS

WEIGHT
POUNDSVOLUME
CUBIC FEET

FIGURE NUMBER

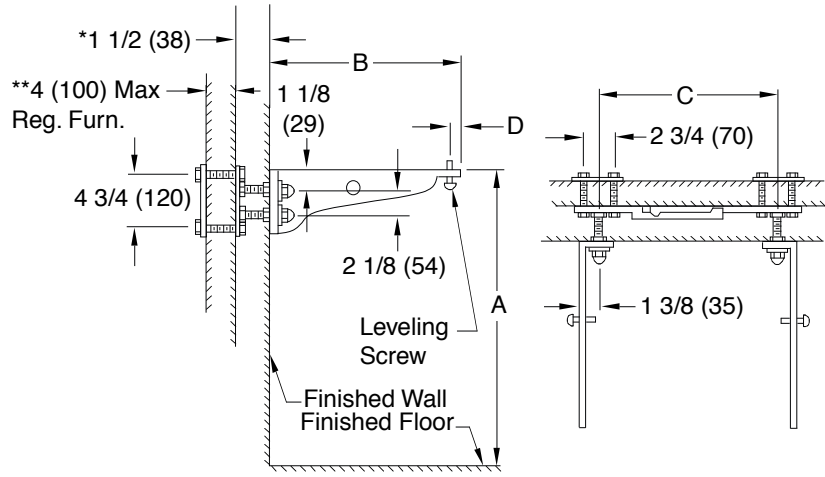
0772



WARNING: Cancer and Reproductive Harm - www.P65Warnings.ca.gov

LAVATORY SUPPORTS WITH EXPOSED ARMS

WALL MOUNTED



**Fig. 0772 ... WITH OFFSET ACID RESISTANT COATED EXPOSED ARMS
FOR HIGH BACK ENAMELED IRON LAVATORIES SET ON
MASONRY OR STUD WALL**

* This dimension can be increased when required (specify wall thickness).
 **For greater wall thickness, larger supporting studs can be furnished (specify wall thickness.)

ROUGHING-IN TABLE

FIXTURE NAME	NUMBER	SIZE	A	B	C	D

NOTE: Dimensions shown in parentheses are in millimeters.

NOTE: The rough-in dimensions listed on this drawing are based on current information available to Jay R. Smith by the fixture manufacturers. We recommend that you verify these dimensions with the fixture manufacturer. We will not accept responsibility for rough-in dimension changes by the fixture manufacturer.

DRAWING NUMBER S0772 (B)
 SIZE A
 SCALE: NONE
 DATE: 10-18-63
 APPROVED BY:
 CHECKED BY: RP
 DRAWN BY: SL
 DIMENSIONS ARE SUBJECT TO MANUFACTURERS TOLERANCE AND CHANGE WITHOUT NOTICE

0772

FIGURE NUMBER	B	4-2-97 8-11-93	Added Millimeters Submittal Update	EMB EMB	BS BS	WEIGHT POUNDS	VOLUME CUBIC FEET	FIGURE NUMBER
	REV.	DATE	DESCRIPTION	BY	CKD. BY			0772