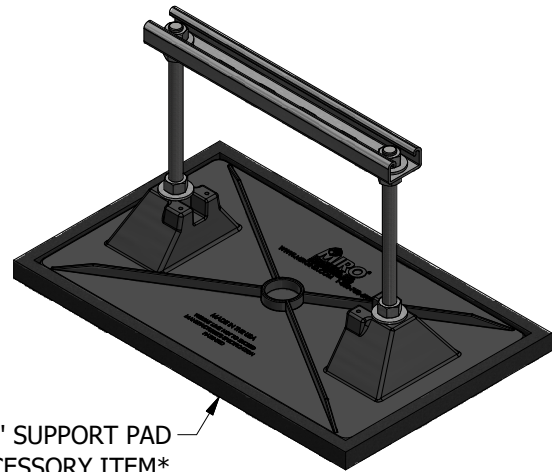
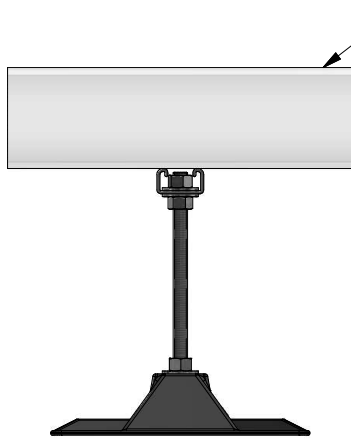


**TOP VIEW**



9" x 15<sup>1</sup>/<sub>4</sub>" SUPPORT PAD  
\*ACCESSORY ITEM\*

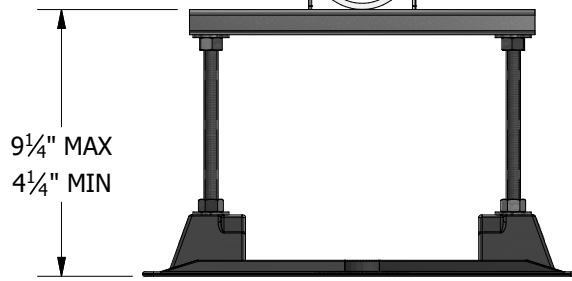
**ISOMETRIC VIEW**



**SIDE VIEW**

PIPE OR CONDUIT  
ILLUSTRATION ONLY

STRUT CLAMP  
\*ACCESSORY ITEM OR  
PROVIDED BY OTHERS\*



9<sup>1</sup>/<sub>4</sub>" MAX  
4<sup>1</sup>/<sub>4</sub>" MIN

**END VIEW**

**ACCESSORIES**

- Strut Clamp - Order to Pipe O.D.
- 9" x 15<sup>1</sup>/<sub>4</sub>" Support pad
- Eternabond® 2-sided tape

**PRODUCT DESCRIPTION**

A pipe support with "strut" used to support roof-mounted electrical conduit, solar piping, gas pipes and other mechanical piping. Pipes rest on a 12" length of strut which is mounted on the base. The pipes can be fastened by using the appropriate pipe clamp.

**KEY INFORMATION**

- Designed to support conduit (ganged) cable trays or other mechanical piping.
- Adjustable from the factory set maximum height of 9-1/4" down to a minimum height of 4-1/4"
- Maximum load is 335 lbs. (3.0 psi) Make certain each support is properly elevated to evenly distribute weight at all support locations.
- Unit Weight: 3.88 lbs.
- 8 per case, 30 lbs. per case, (DW= 36 lbs.)
- Recommended spacing is not to exceed 10' centers depending upon the load.
- Base Material: Polycarbonate
- All metal parts are either stainless steel or hot-dip galvanized.