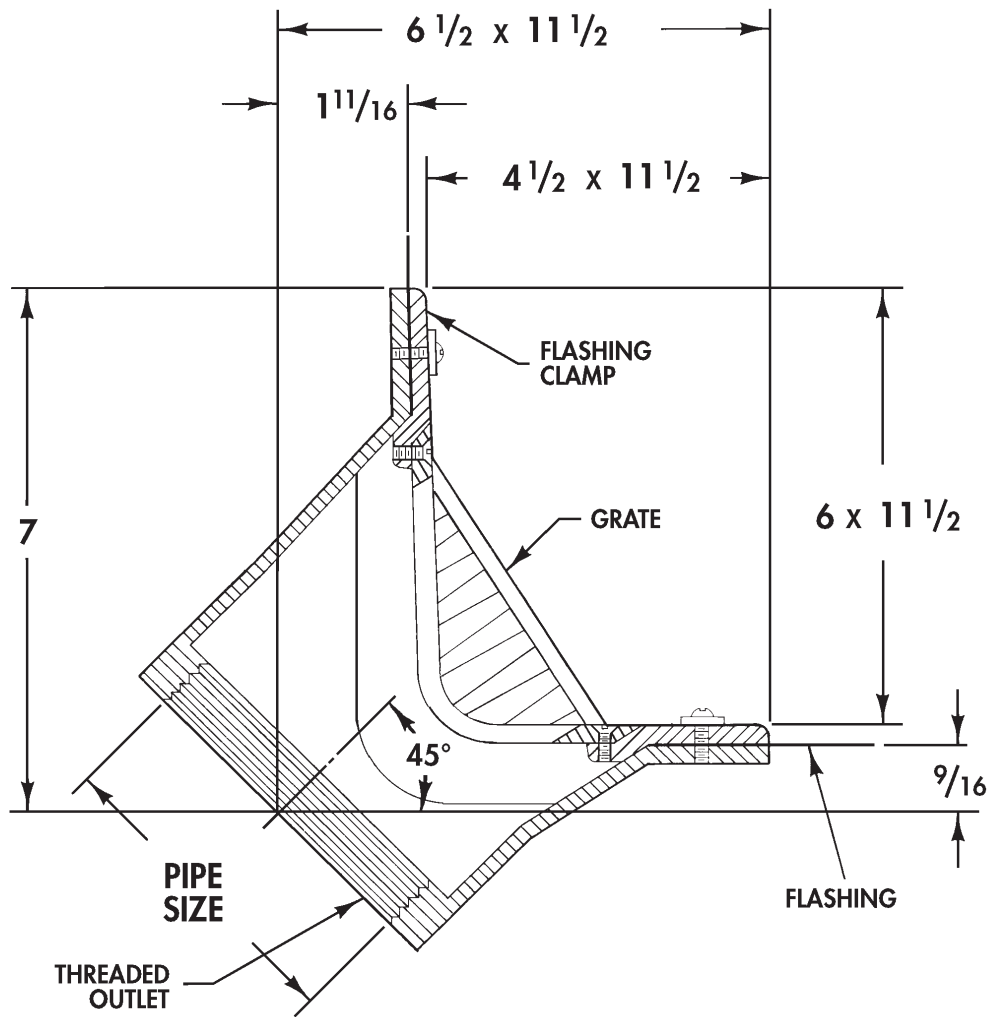
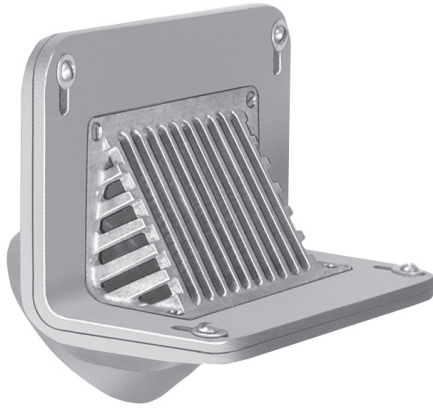


3270A Cast iron 45° threaded outlet parapet drain with secured nickel bronze flashing clamp and grate.



Cat. No.	Pipe Size	Wt. Lbs.
3272A	2	19
3273A	3	17
3274A	4	17

OPTIONS

Suffix	Description
39	Galvanized Iron Parts
179	Security Screws