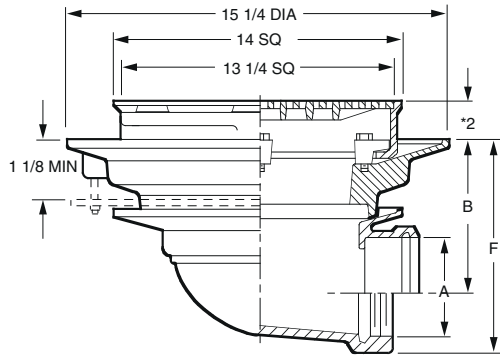


ROOF DRAINS

FIG. 1420 LARGE 14" DECK DRAIN

FUNCTION: Used in flat roofs and decks which are designed as parking decks or promenades for recreational purposes. Body and accessories are compatible for installation in all types of roof construction. Large square top blends in with "block" patterns and has sufficient open free area for proper drainage.



A OUTLET SIZE	TOP SIZE	B	FREE AREA SQ IN	†DUCO CI	DUCO CI PB TOP	DUCO CI NB TOP	APPROX. WEIGHT LBS
02"	14"	6 7/8"	50.25	1,574.00	2,390.00	2,583.00	47
03"	14"	6 3/8"	50.25	1,574.00	2,390.00	2,583.00	47
04"	14"	5 7/8"	50.25	1,574.00	2,390.00	2,583.00	47
05"	14"	5"	50.25	1,876.00	2,692.00	2,885.00	48
06"	14"	4 1/2"	50.25	1,876.00	2,692.00	2,885.00	48

REGULARLY FURNISHED: Duco Cast Iron Body and Flashing Clamp with Seepage Openings and Secured Square Hole Heavy Duty Grate.

OUTLET VARIATIONS (Specify type of outlet and pipe size in inches.)

Outlet Type	Outlet Designation Outlet Type/Pipe Size	"F" Body HT. DIM.	ADD
Inside Caulk	C02, C03, C04	8 5/8"	N/C
	C05, C06	8 1/2"	N/C
		8 3/4"	N/C
Threaded	T02	8 5/8"	N/C
	T03, T04	8 3/4"	N/C
	T05, T06	8 1/2"	N/C
		8 5/8"	N/C
No-Hub	Y02	8 5/8"	N/C
	Y03, Y04	8 3/4"	N/C
	Y05, Y06	See Fig. 2646Y for list add	

OPTIONS:

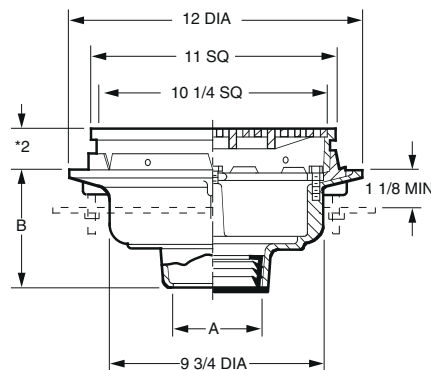
OPTION	DESCRIPTION	ADD
-B	Sediment Bucket	255.00
-C	Aluminum Underdeck Clamp	241.00
-C2	Sec Flashing Clamp	185.00
-CL	Angular Underdeck Clamp	487.00
-E	Extension, Up to 4" per inch over 4"	660.00 157.00
-G	Galvanized Cast Iron	887.00
-HP	Heelproof Grate	N/C
-M	Ductile Iron Grate	613.00
-NBM	DI Undergrate with NB Top, add to CI	1,619.00
-PBM	DI Undergrate with PB Top, add to CI	1,430.00
-R	Sump Receiver	268.00
-U	Vandal Proof Grate	146.00
-W	3/8" Weep Holes in Collar (When "Loose-Set" pavers are required)	191.00

NOTE: Floor drains or area drains used to drain areas subject to rainfall should have an open area equal to twice the cross sectional area of the connecting pipe.

*Add 1/8" when bronze top is specified.

FIG. 1450 MEDIUM - 11" SQUARE DECK DRAIN

FUNCTION: For use in small roof areas which are designed for promenade or recreational purposes. Square top design is compatible with "block" patterns. This drain should be used for small roof areas only and where light rainfall is expected.



A OUTLET SIZE	TOP SIZE	FREE AREA SQ IN	†DUCO CI	DUCO CI PB TOP	DUCO CI NB TOP	APPROX. WEIGHT LBS
02, 03, 04"	11"	31	1,082.00	1,723.00	1,823.00	48
05, 06"	11"	31	1,082.00	1,723.00	1,823.00	48

REGULARLY FURNISHED: Duco Cast Iron Body and Flashing Clamp with Seepage Openings and Secured Square Hole Light Duty Grate.

OUTLET VARIATIONS (Specify type of outlet and pipe size in inches.)

Outlet Type	Outlet Designation Outlet Type/Pipe Size	B Body HT. DIM.	ADD
Inside Caulk	C02, C03, C04, C05, C06	.6"	N/C
	Speedi-Set SW	.6"	N/C
	Speedi-Set XH	.6"	N/C
Threaded	T02, T03, T04, T05, T06	4 3/4"	77.00
No-Hub	Y02, Y03, Y04, Y05, Y06	.6"	N/C

OPTIONS:

OPTION	DESCRIPTION	ADD
-B	Sediment Bucket	255.00
-C	Underdeck Clamp	149.00
-C2	Sec Flashing Clamp	185.00
-CL	Angular Underdeck Clamp	487.00
-E	Extension per inch to 4"	85.00
-C2E04P	Sec. Flashing Clamp w/4" Perf SS Extension	815.00
-G	Galvanized Cast Iron	498.00
-HP	Heelproof Grate	N/C
-M	Ductile Iron Grate	540.00
-R	Sump Receiver	255.00
-U	Vandal Proof Grate	146.00

NOTE: Floor drains or area drains used to drain areas subject to rainfall should have an open area equal to twice the cross sectional area of the connecting pipe.

*Add 3/16" when bronze top is specified.