

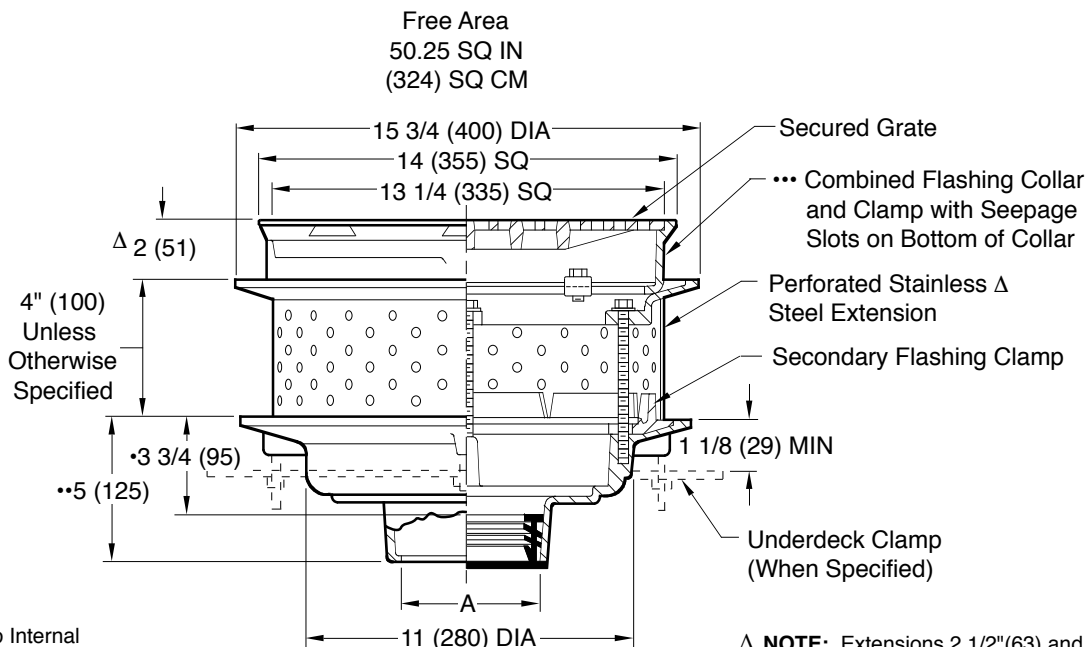
DRAWING NUMBER S1409
 SIZE A
 SCALE: NONE
 DATE: 3-1-85
 APPROVED BY: TD
 CHECKED BY: TD
 DRAWN BY: WAS
 FIGURE NUMBER 1409

WE CAN ASSUME NO RESPONSIBILITY FOR USE OF SUPERSEDED OR VOID DATA
 DIMENSIONS ARE SUBJECT TO MANUFACTURERS TOLERANCE AND CHANGE WITHOUT NOTICE

PROMENADE DECK DRAINS

PROMENADE DECK DRAIN FOR SPECIAL ROOF APPLICATIONS

FUNCTION: Used in roof deck systems where the insulated membrane assembly method of waterproofing is provided. Used where built-up felt and asphalt waterproofing is installed on a flat roof construction which is designed for parking decks or promenades for recreational purposes.



- This Dimension to Internal Stop of Speedi-Set Gasket.
 - Same for Caulk, NO-HUB and Speedi-Set. 3 3/4(95) for Threaded.
 - Specify Suffix -W for Applications Requiring "Loose-Set" Pavers.
- Δ Add 1/8 "(3) when bronze top is specified.

A (Pipe Size) = 02(50), 03(75), 04(100), 05(125) and 06(150)

- Fig. 1409C CAULK OUTLET
- Fig. 1409Y NO-HUB OUTLET

Δ **NOTE:** Extensions 2 1/2"(63) and Higher are Regularly Furnished Perforated Stainless Steel. Extensions Less Than 2 1/2"(63) are Regularly Furnished Cast Iron with 2 Rows of Seepage Holes.

recommended deck opening	
with suffix-R	17(430) DIA
less suffix-R	14(355) DIA

REGULARLY FURNISHED:

Duco Cast Iron Body, Perforated Stainless Steel Extension with Secondary Flashing Clamp, Cast Iron Top Frame and Heavy Duty Secured Grate.

NOTE: Floor drains or area drains used to drain areas subject to rainfall should have an open area equal to twice the cross sectional area of the connecting pipe.

VARIATIONS:

- Expansion Joint (Specify Fig. 1710)
- Extension -E (Specify Height)
- "L" Shaped Underdeck Clamp -CL
- L Speedi-Set Service Weight
02(50), 03(75) & 04"(100) sizes only
- LXH Speedi-Set Extra Heavy
02(50), 03(75) & 04"(100) sizes only
- Sump Receiver -R
- Underdeck Clamp -C
- Vandal Proof Grate -U
- T Threaded Outlet

OPTIONAL MATERIALS:

- Ductile Iron Grate -M
- Galvanized Cast Iron -G
- Nickel Bronze Top -NB
- Polished Bronze Top -PB

NOTE: Dimensions shown in parentheses are in millimeters.

T S R Q	8-8-13 12/11/03 2/2/01 12/13/99	Revised Note Removed C2 Variation Rev. Opt. Mat. Submittal Update	TBW JJ RN JJ	CL BW CL BS	WEIGHT POUNDS	VOLUME CUBIC FEET	FIGURE NUMBER 1409
REV.	DATE	DESCRIPTION	BY	CKD. BY			