

C

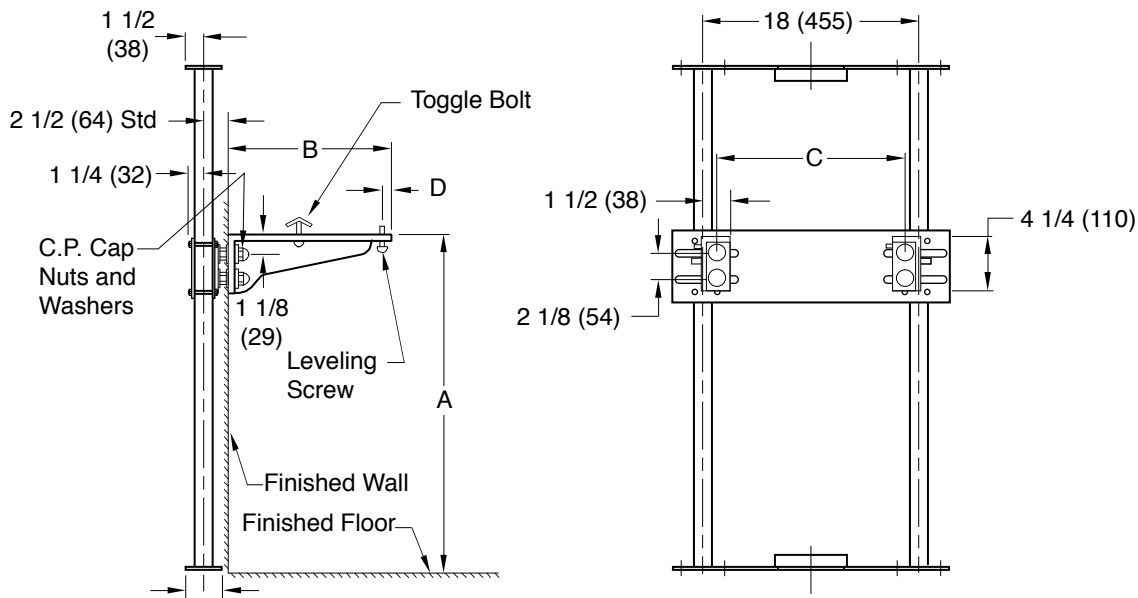
**SMITH® JAY R. SMITH MFG. CO.®**  
 MEMBER OF MORRIS GROUP INTERNATIONAL  
 POST OFFICE BOX 3237  
 MONTGOMERY, ALABAMA 36109-0237 (USA)  
 TEL: 334-277-8520 FAX: 334-272-7396 www.jrsmith.com



LOCATION

# LABOR SAVER® LAVATORY SUPPORTS

## FLOOR MOUNTED TYPE WITH EXPOSED ARMS

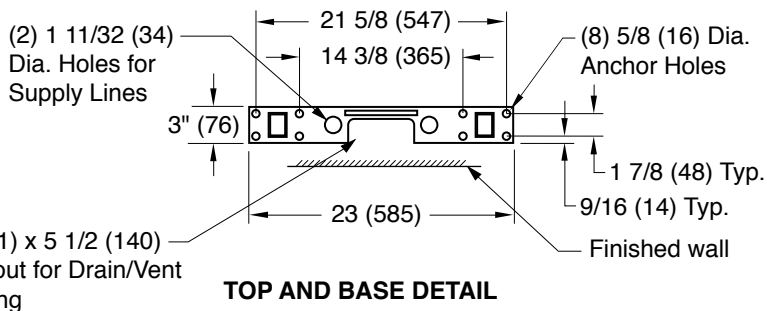


**Fig. 0760 . . . WITH ACID RESISTANT COATED EXPOSED ARMS FOR FLAT SLAB AND HIGH BACK LAVATORIES.**

**NOTE:** The rough-in dimensions listed on this drawing are based on current information available to Jay R. Smith by the fixture manufacturers. We recommend that you verify these dimensions with the fixture manufacturer. We will not accept responsibility for rough-in dimension changes by the fixture manufacturer.

**NOTE:** \*This dimension can be increased when fixture support is to be installed behind the wall. (Specify when required and wall thickness).

**NOTE:** Dimensions shown in parenthesis are in millimeters.



**ROUGH-IN TABLE**

FIXTURE MFG.	NAME	NUMBER	SIZE	A	B	C	D

DRAWING NUMBER  
**S0760**

SIZE  
**A**

SCALE:  
**NONE**

DATE:  
**04/04/01**

APPROVED BY:  
**AM**

CHECKED BY:  
**CR**

DRAWN BY:  
**JJ**

**0760**

WE CAN ASSUME NO RESPONSIBILITY FOR USE OF SUPERSEDED OR VOID DATA

DIMENSIONS ARE SUBJECT TO MANUFACTURERS TOLERANCE AND CHANGE WITHOUT NOTICE

REV.	DATE	DESCRIPTION	BY	CKD. BY	WEIGHT POUNDS	VOLUME CUBIC FEET	FIGURE NUMBER
C	11/07/02	Changed per George Flegel	JJ	AM			<b>0760</b>
B	12/19/01	Changed Hole Size in Base	JJ	AM			
A	11/06/01	Inside wall (washer/nut/washer)	JJ	AM			