



**JAY R. SMITH MFG. CO.®**  
 DIVISION OF SMITH INDUSTRIES, INC.  
 POST OFFICE BOX 3237  
 MONTGOMERY, ALABAMA 36109-0237 (USA)  
 TEL: 334-277-8520 FAX: 334-272-7396 www.jrsmith.com

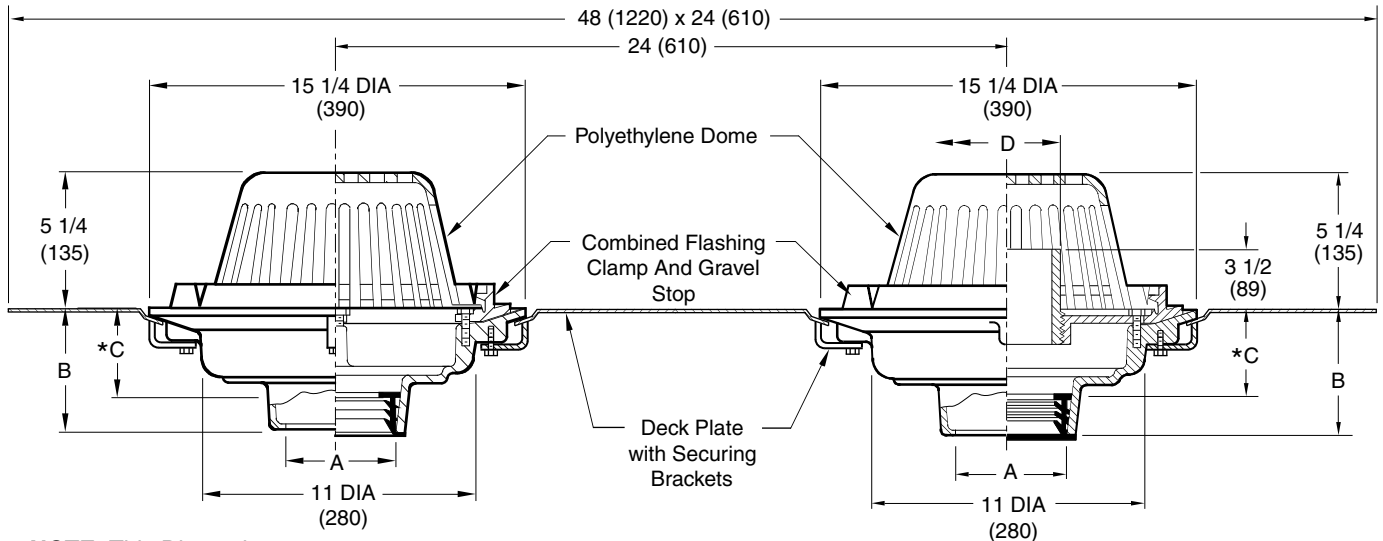


MEMBER OF:

LOCATION

# ROOF DRAIN AND OVERFLOW DRAIN

**FUNCTION:** Used on flat roofs of any construction (other than poured in place) where an emergency overflow drain can be used in combination with a standard roof drain. Large sump drain bodies with low profile domes provide sufficient free area for quick drainage of rainwater while protecting the drain sump and connected piping from the intrusion of debris. Internal standpipe type overflow drain receives water only when the build-up is greater than the setting of the standpipe. Water dam standpipe can be cut to achieve various water depths on the roof. Attached wide dual drain deck plate with securing holes enables both drains to be secured to the roof deck from the top surface of the roof reducing installation time, reducing the number of roof penetrations and eliminating the need for an underdeck clamp. The wide dual deck plate also recesses the drains slightly to prevent water build-up at the base of the drains.



\* NOTE: This Dimension to Internal Stop of Speedi-Set Gasket.

1800C.....CAULK OUTLET  
 1800Y.....NO HUB OUTLET

A SIZE	B		*C	D Standpipe (Pipe Size)	FREE AREA SQ IN/(SQ CM)
	CAULK, NO-HUB, & SPEEDI-SET	THREADED			
02(50), 03(75), 04(100)	5(125)	3 3/4(95)	3 3/4(95)	4(100)	102.5(661)
05(125), 06(150)	5(125)	3 3/4(95)	3 3/4(95)	6(150)	102.5(661)

**REGULARLY FURNISHED:**

Duco Cast Iron Bodies with Combined Flashing Clamp and Gravel Stop for Roof Drain and Combined Flashing Clamp and Gravel Stop with 3 1/2(89) High Internal Water Dam Standpipe for Overflow Drain. Deck Plate with Securing Holes Provided to receive both Drains. Both Drains Provided with Polyethylene Domes.

**VARIATIONS:**

- L Speedi-Set Service Weight 02(50), 03(75), and 04(100)" sizes only
- LXH Speedi-Set Extra Heavy 02(50), 03(75), and 04(100)" sizes only
- T Threaded Outlet
- Expansion Joint (Specify Fig.1710)
- Extension (Specify Height) -E
- Secondary Flashing Clamp -C2 (For Extensions)
- Adjustable Extension - AE
- External Waterdam Collar -WD Specify Height -WD2(50), -WD3(75) or -WD4(100)
- Vandal Proof Dome -U

**OPTIONAL MATERIALS:**

- Aluminum Dome -AD
- Cast Iron Dome -CID
- Galvanized Cast Iron Dome -CIDG
- Galvanized Cast Iron Body & Collar -G
- Rough Bronze Dome -RBD
- Stainless Steel Mesh Secured to Dome - SSMD
- Acid Resistant Coated - ARC

NOTE: Dimensions shown in parentheses are in millimeters.

DRAWING NUMBER  
s1800

SIZE  
A

SCALE:  
NONE

DATE:  
08/27/03

APPROVED BY:  
BW

CHECKED BY:  
BW

DRAWN BY:  
JJ

1800

FIGURE NUMBER

F	04/02/09	Rev. Drawing & Added Function	JJ	CR
E	10/01/08	Rev. Figure Number	JJ	JM
D	6-22-05	Rev. Variations/Optional Materials	RN	AM
REV.	DATE	DESCRIPTION	BY	CKD. BY

WEIGHT POUNDS	VOLUME CUBIC FEET

FIGURE NUMBER <b>1800</b>
------------------------------

WE CAN ASSUME NO RESPONSIBILITY FOR USE OF SUPERSEDED OR VOID DATA

DIMENSIONS ARE SUBJECT TO MANUFACTURERS TOLERANCE AND CHANGE WITHOUT NOTICE