

E



**JAY R. SMITH MFG. CO.®**  
 MEMBER OF MORRIS GROUP INTERNATIONAL  
 POST OFFICE BOX 3237  
 MONTGOMERY, ALABAMA 36109-0237 (USA)  
 TEL: 334-277-8520 FAX: 334-272-7396 www.jrsmith.com



MEMBER OF:

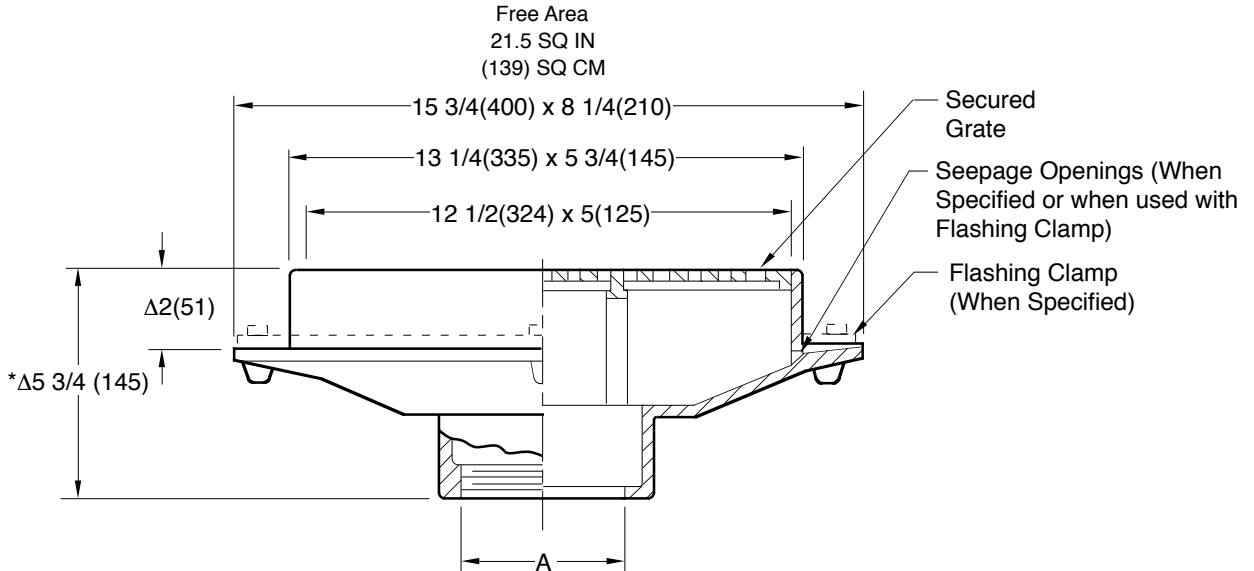


LOCATION

# SPECIAL PURPOSE DRAINS

## GUTTER DRAINS

**FUNCTION:** Used in gutters and trenches where only a limited width is available for drainage. Long rectangular grate with large free area is capable of handling large amounts of water.



A (Pipe Size) = 03(75) or 04(100)

Fig. 2585C . . . . CAULK OUTLET  
 Fig. 2585T . . . . THREADED OUTLET

$\Delta$  add 7/16"(11) when bronze top is specified.  
 $*5"$ (125) for threaded outlet.

**REGULARLY FURNISHED:**  
 Duco Cast Iron Body with Secured Grate.

**VARIATIONS:**

Flashing Clamp -C  
 Less Grate -LG  
 NO-HUB Adaptor (Specify Fig. 2646Y)  
 Vandal Proof Grate -U  
 Quad Close Trap Seal (Specify Fig. 2692)

**OPTIONAL MATERIALS:**

Ductile Iron Grate -M  
 Galvanized Cast Iron -G  
 Nickel Bronze Top -NB  
 Polished Bronze Top -PB

**NOTE:** Dimensions shown in parentheses are in millimeters.

DRAWING NUMBER  
S2585SIZE  
ASCALE:  
NONEDATE:  
5-17-85APPROVED BY:  
TDCHECKED BY:  
TDDRAWN BY:  
PJ

2585

WE CAN ASSUME NO RESPONSIBILITY FOR USE OF SUPERSEDED OR VOID DATA  
DIMENSIONS ARE SUBJECT TO MANUFACTURERS TOLERANCE AND CHANGE WITHOUT NOTICE

REV.	DATE	DESCRIPTION	BY	CKD. BY
E D C	7-8-15 12-30-98 4-14-97	Revised Variations Revised Callout Added Millimeters	TBW CMD EMB	CL BS BS

WEIGHT  
POUNDS

VOLUME  
CUBIC FEET

FIGURE NUMBER

**2585**



**WARNING:** Cancer and Reproductive Harm - www.P65Warnings.ca.gov