

S  
 DRAWING NUMBER S2230, 2235  
 SIZE A  
 SCALE: NONE  
 DATE: 5-17-85  
 APPROVED BY: TD  
 CHECKED BY: TD  
 DRAWN BY: PJ  
 2230, 2235  
 FIGURE NUMBER

WE CAN ASSUME NO RESPONSIBILITY FOR USE OF SUPERSEDED OR VOID DATA  
 DIMENSIONS ARE SUBJECT TO MANUFACTURERS TOLERANCE AND CHANGE WITHOUT NOTICE

# FLOOR DRAINS

## WITH 12" (305) ROUND TOPS AND SEDIMENT BUCKETS

### "SAFE-SET" BUCKET

Load Rating: Light Duty having a Safe Live (Static) Load less than 2,000 lbs. (900 kg) per ASME A112.6.3 Floor Drain Standard. For the specific Safe Live Load rating of any grate, contact the Smith representative or factory direct.

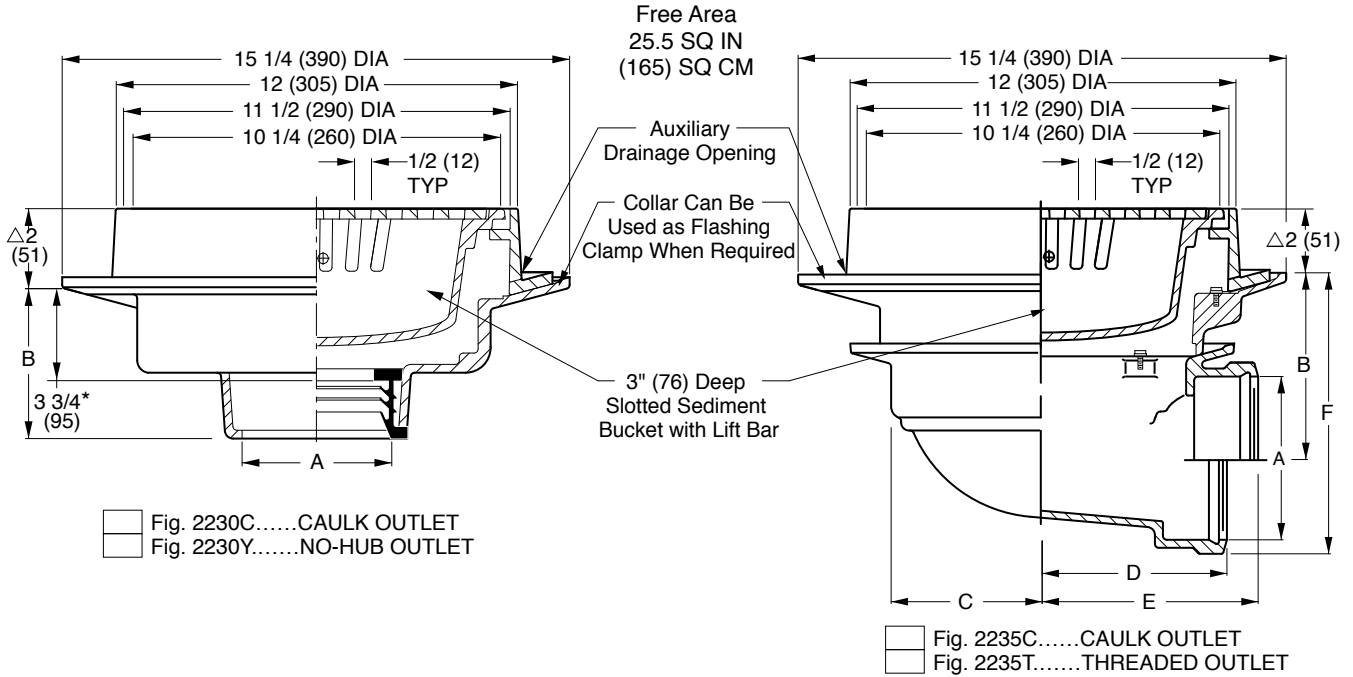


Fig. 2230C.....CAULK OUTLET  
 Fig. 2230Y.....NO-HUB OUTLET

Fig. 2235C.....CAULK OUTLET  
 Fig. 2235T.....THREADED OUTLET

A Size	B	
	Caulk, NO-HUB & Speedi-Set	Threaded
02(50),03(75)04(100) 05(125) & 06(150)	5 (125)	3 3/4 (95)

A SIZE	02(50)	03(75)	04(100)	05(125)	06(150)
B	6 7/8(175)	6 3/8(162)	5 7/8(149)	5(125)	4 1/2(115)
C	4 3/4(120)	4 3/4(120)	4 3/4(120)	6 1/4(160)	6 1/4(160)
D	6(150)	6(150)	6(150)	6 5/8(168)	6 7/8(175)
E	7 1/4(185)	7 1/2(190)	7 3/4(195)	7 3/4(195)	7 3/4(195)
F	8 5/8(219)	8 3/4(220)	8 3/4(220)	8 1/2(215)	8 1/2(215)

**REGULARLY FURNISHED:**  
 Duco Cast Iron Body and Flashing Collar with Cast Iron ADA Grate and Slotted Sediment Bucket.

\* This Dimension to Internal Stop of Speedi-Set Gasket.  
 Δ Add 5/16" (8) when bronze top is specified.  
 Δ Add 7/8" (22) when hinged cast iron top is specified.

• Hinged grate not available in safe-set design. Full grate is provided with a suspended bucket.

- VARIATIONS:**
- Hinged Grate -H
  - L Speedi-Set Service Weight 2(50), 3(75) & 4"(100) sizes only (Fig. 2230 only)
  - LXH Speedi-Set Extra Heavy 2(50), 3(75) & 4"(100) sizes only (Fig. 2230 only)
  - NO-HUB Adaptor (Specify Fig. 2646Y) (Fig. 2235 only)
  - Solid Free Standing Bucket -B
  - Square Top -S
  - Trap Primer Connection -P050 1/2" (13) & -P075 3/4" (19) (Fig. 2230 only)
  - Vandal Proof Grate -U
  - Wide Deck Flange Drain (Specify Fig. DX2566)
  - T Threaded Outlet
  - Quad Close Trap Seal (Specify Fig. 2692) (Fig. 2230 Only)

- OPTIONAL MATERIALS:**
- Galvanized Cast Iron -G
  - Nickel Bronze -NB
  - Polished Bronze -PB

**NOTE:** 02(50), 03(75) & 04" (100) sizes require a transition collar (as shown in above illustration) which fits between the body & collar. 05 (125) & 06 (150) sizes do not require transition collar

**NOTE:** Dimensions shown in parentheses are in millimeters..

REV.	DATE	DESCRIPTION	BY	CKD.	WEIGHT POUNDS	VOLUME CUBIC FEET	FIGURE NUMBER
							<b>2230, 2235</b>