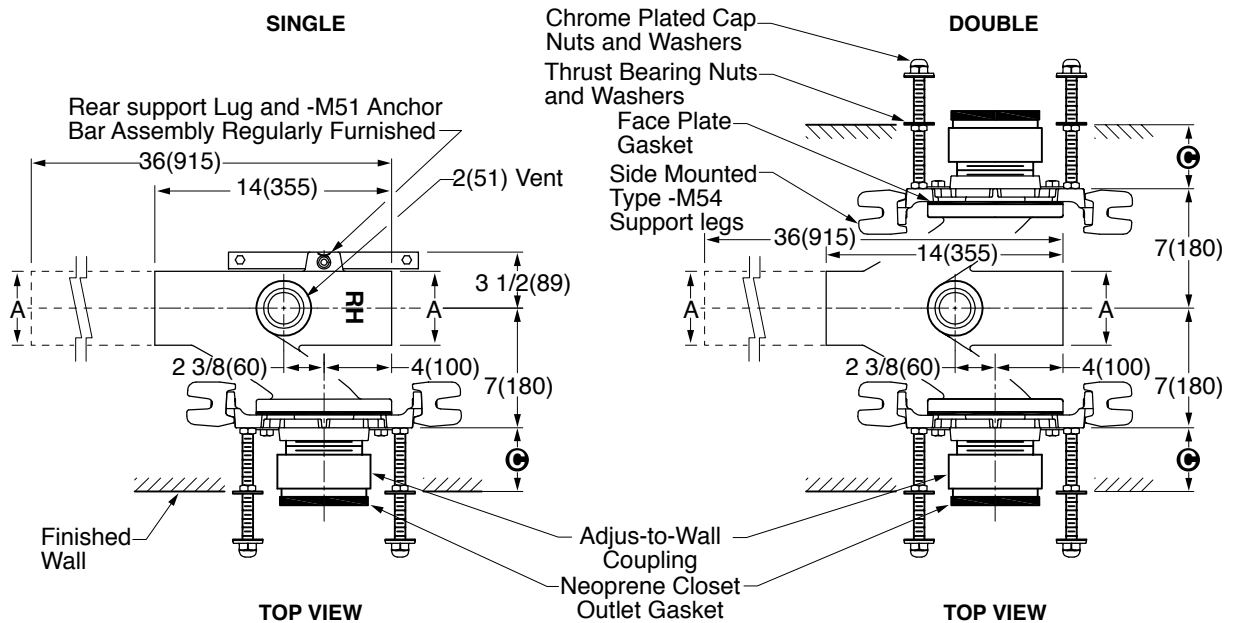


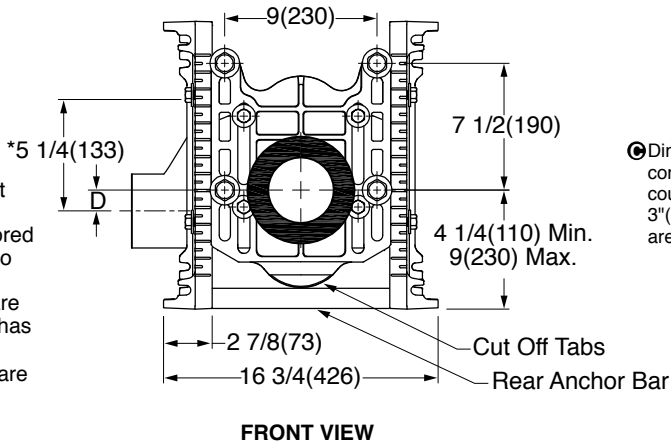
ADJUSTABLE FIXTURE SUPPORTS FOR SIPHON JET WATER CLOSETS

EXTRA HEAVY DUTY-750 LBS. (340kg)



TOP VIEW

TOP VIEW



FRONT VIEW

A SIZE	D	
	MIN	MAX
4(100)	5/8(16)	3 3/8(87)

- NOTES:**
1. Base support must be securely anchored to floor with 1/2"(13) anchors able to withstand a pull-out force of 500 lbs (227 kg). The rear anchor bar must be securely anchored to floor with 1/2"(13) anchors able to withstand a pull-out force of 1000 lbs (454 kg). Pull-out forces are calculated values, no safety factor has been applied.
 2. Dimensions shown in parentheses are in millimeters.
 3. *Dimension to top of vent.

⊕ Dimension = 4"(100) (Regularly Furnished) consisting of nipple and Adjus-to-Wall coupling permitting adjustment from 3"(76) min. to 4"(100) max. Longer nipples are available, specify ⊕ dimension.

- Fig. 0211LY -M54-XX NO-HUB Left Hand
- Fig. 0211RY -M54-XX NO-HUB Right Hand
- Fig. 0211DY -M54-XX NO-HUB Double
- Fig. 0221LY -M54-XX NO-HUB Left Hand Long Barrel
- Fig. 0221RY -M54-XX NO-HUB Right Hand Long Barrel
- Fig. 0221DY -M54-XX NO-HUB Double Long Barrel

Jay R. Smith 0211Y/0221Y-M54-XX complies with and/or exceeds all requirements of ASME A112.6.1M up to 750 lbs.

DRAWING NUMBER: s0211Y, 0221Y -M54-XX
 SIZE: A
 SCALE: NONE
 DATE: 6-21-12
 APPROVED BY: CL
 CHECKED BY: CL
 DRAWN BY: TBW
 FIGURE NUMBER: 0211Y -M54-XX, 0221Y -M54-XX
 DIMENSIONS ARE SUBJECT TO MANUFACTURERS TOLERANCE AND CHANGE WITHOUT NOTICE
 WE CAN ASSUME NO RESPONSIBILITY FOR USE OF SUPERSEDED OR VOID DATA

REV.	DATE	DESCRIPTION	BY	CKD. BY	WEIGHT POUNDS	VOLUME CUBIC FEET	FIGURE NUMBER
B	10-29-14	Added 0221Y-M54-XX	TBW	CL			0211Y -M54-XX 0221Y -M54-XX
A	3-22-13	Rev. Notes, Dim.	TBW	CL			