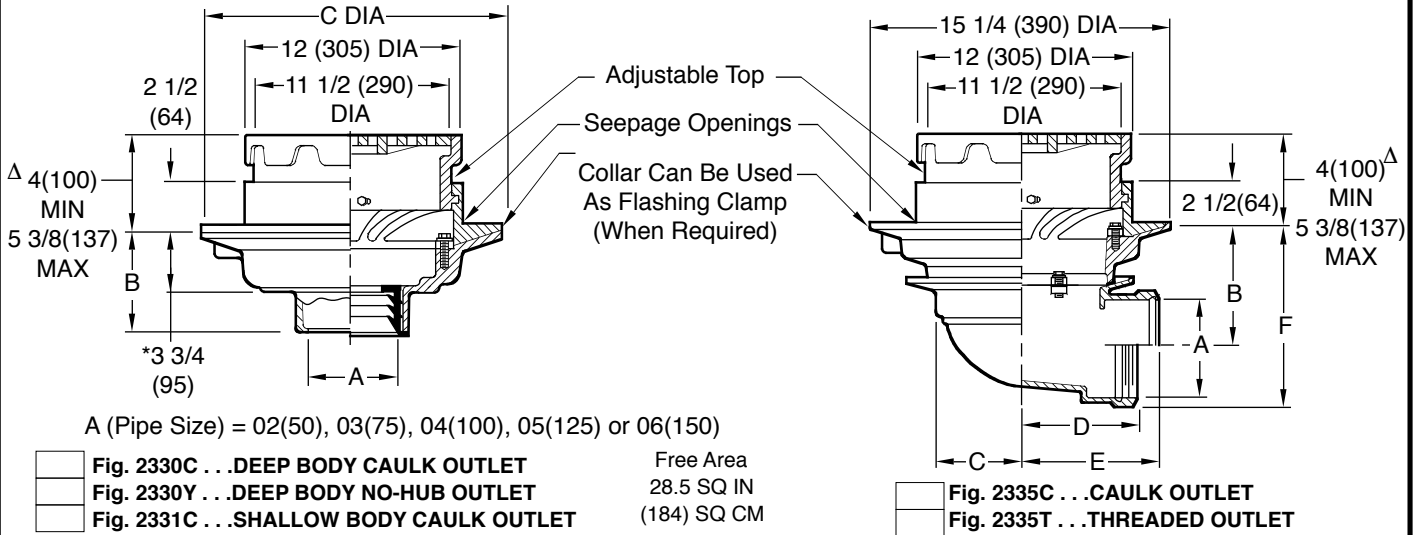


FLOOR DRAINS

WITH 12" (305) ROUND ADJUSTABLE TOPS

MEDIUM DUTY DRAINS

Load Rating: Medium Duty having a Safe Live (Static) Load between 2,000 lbs. (900 kg) and 4,999 lbs. (2,250 kg) per ASME A112.6.3 Floor Drain Standard. For the specific Safe Live Load rating of any grate, contact the Smith representative or factory direct.



A (Pipe Size) = 02(50), 03(75), 04(100), 05(125) or 06(150)

- Fig. 2330C ...DEEP BODY CAULK OUTLET
- Fig. 2330Y ...DEEP BODY NO-HUB OUTLET
- Fig. 2331C ...SHALLOW BODY CAULK OUTLET

Free Area
 28.5 SQ IN
 (184) SQ CM

- Fig. 2335C ...CAULK OUTLET
- Fig. 2335T ...THREADED OUTLET

Figure	B			C DIA
	Caulk	Thread	NO-HUB	
2330	5(125)	3 3/4(95)	5(125)	15 1/4(390)
2331	3 3/4(95)	3 3/4(95)	-	16(405)

A SIZE	02(50)	03(75)	04(100)	05(125)	06(150)
B	6 7/8(175)	6 3/8(162)	5 7/8(149)	5(125)	4 1/2(115)
C	4 3/4(120)	4 3/4(120)	4 3/4(120)	6 1/4(160)	6 1/4(160)
D	6(150)	6(150)	6(150)	6 5/8(168)	6 7/8(175)
E	7 1/4(185)	7 1/2(190)	7 3/4(195)	7 3/4(195)	7 3/4(195)
F	8 5/8(220)	8 3/4(220)	8 3/4(220)	8 1/2(215)	8 1/2(215)

*This Dimension to Internal Stop of Speedi-Set Gasket.
 Δ Add 1/8"(3) when bronze top is specified.
 Δ Add 7/8"(22) when hinged grate is specified.

NOTE: 02(50), 03(75), & 04"(100) sizes require a transition collar (as shown in above illustration) which fits between the body & collar. 05(125) & 06"(150) sizes do not require transition collar.

REGULARLY FURNISHED:

Duco Cast Iron Body and Flashing Collar with Adjustable Top and Bar Grate.

VARIATIONS:

- Adjustable Extensions 4 1/2(115) to 6"(150) -E
- Dome Grate -D
- Flat Bottom Strainer -FBS
- Hinged Grate -H
- L Speedi-Set Service Weight
02(50), 03(80) & 04"(100) sizes only (Fig. 2330 only)
- LXH Speedi-Set Extra Heavy
02(50), 03(80) & 04"(100) sizes only (Fig. 2330 only)
- NO-HUB Adaptor (Specify Fig. 2646Y) (Fig. 2331-2335 only)
- Square Top -S
- Trap Primer Connection
-P050 1/2"(13) & -P075 3/4"(19) (Fig. 2330 only)
- Vandal Proof Grate -U
- T Threaded Outlet
- Quad Close Trap Seal (Specify Fig. 2692) (Fig. 2330 & 2331 Only)

OPTIONAL MATERIALS:

- Ductile Iron Grate -M
- Galvanized Cast Iron -G
- Nickel Bronze Top -NB
- Polished Bronze Top -PB

NOTE: Dimensions shown in parentheses are in millimeters.

DRAWING NUMBER
S2330

SIZE
A

SCALE:
NONE

DATE:
5-17-85

APPROVED BY:
TD

CHECKED BY:
TD

DRAWN BY:
CM

FIGURE NUMBER
2330, 2331, 2335

WE CAN ASSUME NO RESPONSIBILITY FOR USE OF SUPERSEDED OR VOID DATA

DIMENSIONS ARE SUBJECT TO MANUFACTURERS TOLERANCE AND CHANGE WITHOUT NOTICE

J G F E	7-22-19 6-18-15 4-9-97 7-5-94	Added Load Rating Revised Variations Added Millimeters Revised	MW TBW EMB CMB	JM CL BS	WEIGHT POUNDS	VOLUME CUBIC FEET	FIGURE NUMBER 2330, 2331, 2335
REV.	DATE	DESCRIPTION	BY	CKD. BY			