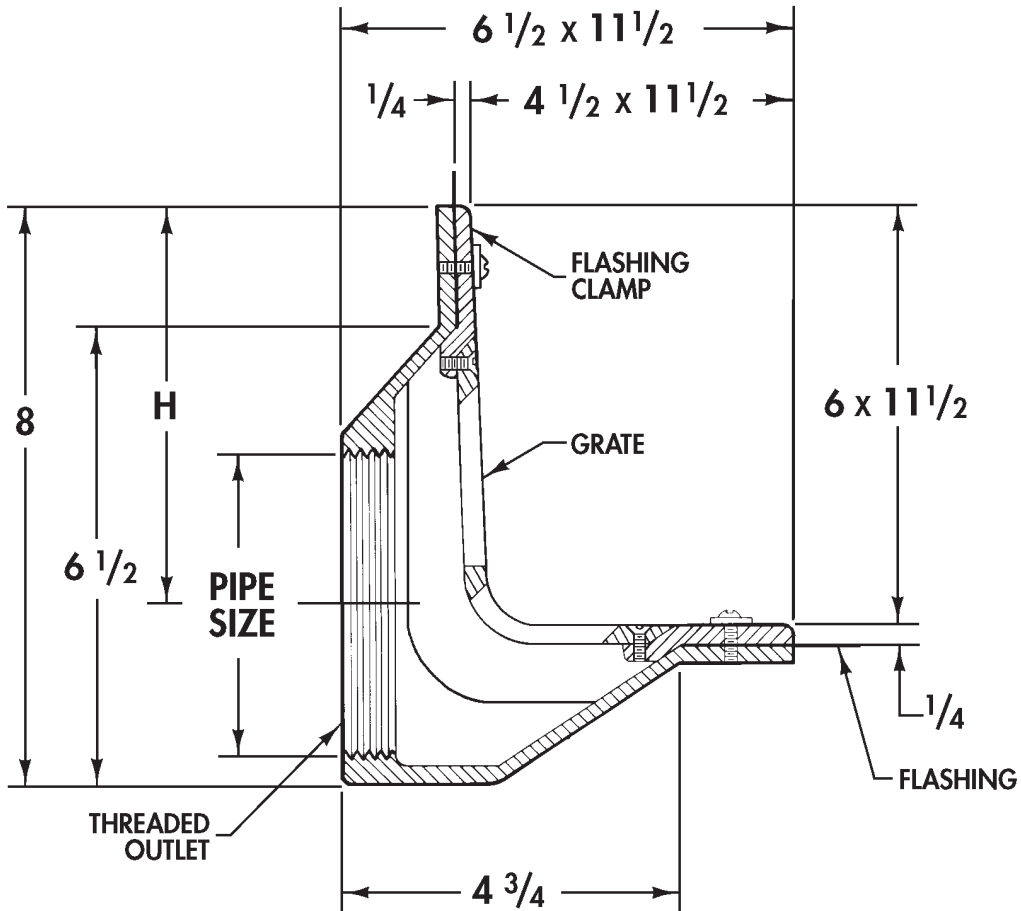


# Parapet Drains



**3290** Cast iron 90° threaded side outlet parapet drain with flush-set secured nickel bronze flashing clamp and grate.



| Cat. No. | Pipe Size | H                             | Wt. Lbs. |
|----------|-----------|-------------------------------|----------|
| 3292     | 2         | 6 <sup>5</sup> / <sub>8</sub> | 19       |
| 3293     | 3         | 6 <sup>1</sup> / <sub>4</sub> | 17       |
| 3294     | 4         | 5 <sup>5</sup> / <sub>8</sub> | 17       |

### OPTIONS

| Suffix   | Description           |
|----------|-----------------------|
| 39.....  | Galvanized Iron Parts |
| 179..... | Security Screws       |