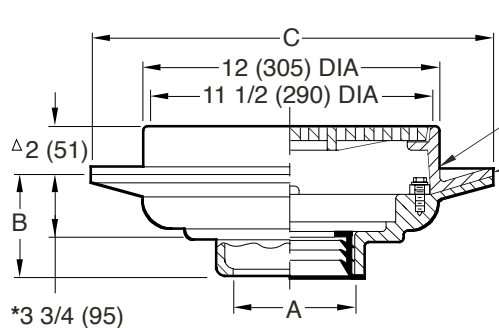


FLOOR DRAINS WITH 12" (305) ROUND TOPS

MEDIUM DUTY DRAINS

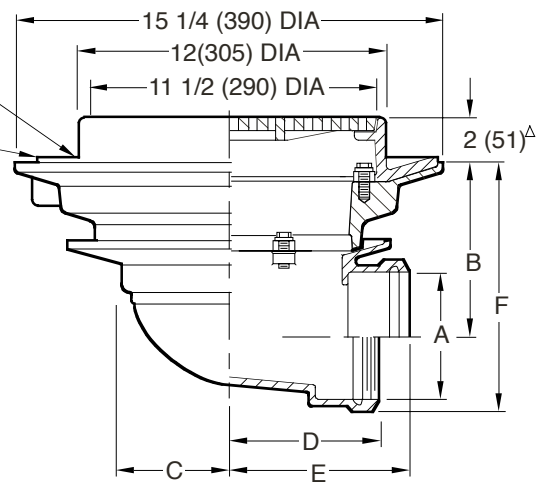
Load Rating: Medium Duty having a Safe Live (Static) Load between 2,000 lbs. (900 kg) and 4,999 lbs. (2,250 kg) per ASME A112.6.3 Floor Drain Standard. For the specific Safe Live Load rating of any grate, contact the Smith representative or factory direct.



Free Area
28.5 SQ IN
(184) SQ CM

Seepage Openings

Collar Can Be Used As Flashing Clamp (When Required)



A (Pipe Size) = 02(50), 03(75), 04(100), 05(125) or 06(150)

- Fig. 2130C . . .SHALLOW BODY CAULK OUTLET
- Fig. 2131C . . .DEEP BODY CAULK OUTLET
- Fig. 2131Y . . .DEEP BODY NO-HUB OUTLET

- Fig. 2135C . . .CAULK OUTLET
- Fig. 2135T . . .THREADED OUTLET

Figure	B			C DIA
	Caulk	Thread	NO-HUB	
2130	3 3/4 (95)	3 3/4 (95)	5 (125)	**15 1/4 (390)
2131	5 (125)	3 3/4 (95)	5 (125)	15 1/4 (390)

** Dimension is 16 (405) for Caulk outlet.

A SIZE	02 (50)	03 (75)	04 (100)	05 (125)	06 (150)
B	6 7/8 (175)	6 3/8 (162)	5 7/8 (149)	5 (125)	4 1/2 (115)
C	4 3/4 (120)	4 3/4 (120)	4 3/4 (120)	6 1/4 (160)	6 1/4 (160)
D	6 (150)	6 (150)	6 (150)	6 5/8 (168)	6 7/8 (175)
E	7 1/4 (185)	7 1/2 (190)	7 3/4 (195)	7 3/4 (195)	7 3/4 (195)
F	8 5/8 (219)	8 3/4 (220)	8 3/4 (220)	8 1/2 (215)	8 1/2 (215)

REGULARLY FURNISHED:

Duco Cast Iron Body and Flashing
Collar with Cast Iron Bar Grate.

VARIATIONS:

- Deflector Grate -DG
- Dome Grate -D
- Flat Bottom Strainer -FBS
- Hinged Grate -H
- L Speedi-Set Service Weight 2(50), 3(75) & 4" (100) sizes only (Fig. 2131 only)
- LXH Speedi-Set Extra Heavy 2(50), 3(75) & 4"(100) sizes only (Fig. 2131only)
- NO-HUB Adaptor (Specify Fig. 2646Y) (Fig. 2130 & 2135 only)
- Sediment Bucket -B
- Solid Scoriated Cover -SC
- Square Top -S
- Trap Primer Connection -P050 1/2" (13) & -P075 3/4" (19) (Fig. 2131, 2131Y & 2135 only)
- Vandal Proof Grate -U
- Wide Flange Deck Drain (Specify Fig. DX2566)
- T Threaded Outlet
- Quad Close Trap Seal (Specify Fig. 2692) (Fig. 2130 & 2131 Only)

OPTIONAL MATERIALS:

- Ductile Iron Grate -M
- Galvanized Cast Iron -G
- Nickel Bronze Top -NB
- Polished Bronze Top -PB

*This Dimension to Internal Stop of Speedi-Set Gasket.
 Δadd 3/8" (10) when hinged top is specified.
 Δadd 1/8" (3) when bronze top is specified.
 ■ Meets U. S. Gov't Spec. WW-P-541-b. Type 220 04" (100) size only.

NOTE: 02(50), 03(75) & 04"(100) sizes require a transition collar (as shown in above illustration) which fits between the body & collar. 05(125) & 06"(150) sizes do not require transition collar.

NOTE: Dimensions shown in parentheses are in millimeters.

DRAWING NUMBER S2130
 SIZE A
 SCALE: NONE
 DATE: 5-17-85
 APPROVED BY: TD
 CHECKED BY: TD
 DRAWN BY: BS
 FIGURE NUMBER 2130, 2131, 2135

WE CAN ASSUME NO RESPONSIBILITY FOR USE OF SUPERSEDED OR VOID DATA
 DIMENSIONS ARE SUBJECT TO MANUFACTURERS TOLERANCE AND CHANGE WITHOUT NOTICE

REV.	DATE	DESCRIPTION	BY	CKD. BY	WEIGHT POUNDS	VOLUME CUBIC FEET	FIGURE NUMBER
	7-22-19 6-17-19 6-11-15 1-10-07	Added Load Rating Removed Function Revised Variations Revised Millimeters	MW MW TBW RN	JM JM CL CL			2130, 2131, 2135