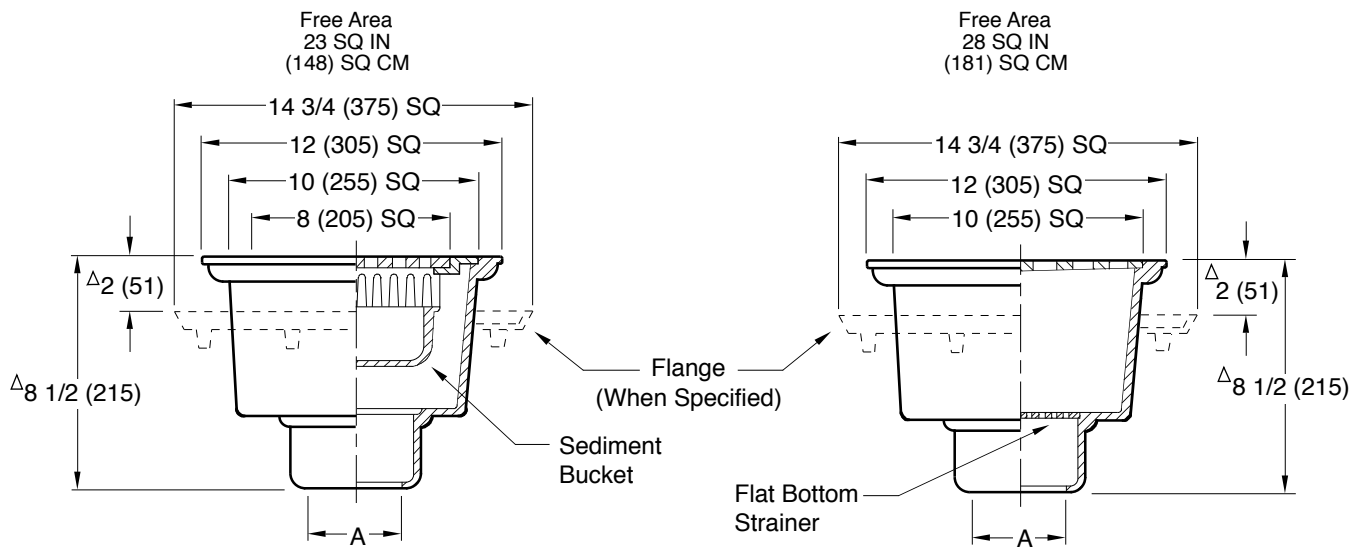


# FLOOR DRAINS

## LIGHT DUTY HOPPER DRAINS

Load Rating: Light Duty having a Safe Live (Static) Load less than 2,000 lbs. (900 kg) per ASME A112.6.3 Floor Drain Standard. For the specific Safe Live Load rating of any grate, contact the Smith representative or factory direct.



A (Pipe Size) = 02(50), 03(75) or 04(100)

**SEDIMENT BUCKET**

**FLAT BOTTOM STRAINER**

- |  |  |
|--|--|
| <input type="checkbox"/> Fig. 2630C . . . 12(305) x 12(305) WITH GRATE<br><input type="checkbox"/> Fig. 2631C . . . 12(305) x 12(305) LESS GRATE | <input type="checkbox"/> Fig. 2632C . . . 12(305) x 12(305) WITH GRATE<br><input type="checkbox"/> Fig. 2633C . . . 12(305) x 12(305) LESS GRATE |
|--|--|

Δ add 3/8"(10) when bronze top is specified

■ Meets U.S. Government Spec. WW-P-541b, Type 222.

**REGULARLY FURNISHED:**

Duco Cast Iron Body with or Less Grate and Bucket as indicated by Figure Number Selected.

**VARIATIONS:**

- Bell Trap -BT
- Flashing Flange -F
- Flashing Flange with Flashing Clamp -F-C
- Vandal Proof Top or Grate -U
- T Threaded Outlet
- White ABS Bucket -B (2632 Only)
- Quad Close Trap Seal (Specify Fig. 2692)

**OPTIONAL MATERIALS:**

- Ductile Iron Grate -M (Fig. 2632 only)
- Ductile Iron Grate & Bucket -MGB (Fig. 2630 only)
- Galvanized Cast Iron -G
- Nickel Bronze Top -NB
- Polished Bronze Top -PB

**NOTE:** Dimensions shown in parentheses are in millimeters.

DRAWING NUMBER: S2630  
 SIZE: A  
 SCALE: NONE  
 DATE: 5-17-85  
 APPROVED BY: TD  
 CHECKED BY: TD  
 DRAWN BY: PJ  
**2630, 2632**  
 DIMENSIONS ARE SUBJECT TO MANUFACTURERS TOLERANCE AND CHANGE WITHOUT NOTICE  
 WE CAN ASSUME NO RESPONSIBILITY FOR USE OF SUPERSEDED OR VOID DATA

<b>G</b>	7-23-19	Added Load Rating	<b>MW</b>	<b>JM</b>	WEIGHT POUNDS	VOLUME CUBIC FEET	<b>FIGURE NUMBER</b>
<b>F</b>	6-18-19	Removed Function	<b>MW</b>	<b>JM</b>			<b>2630, 2632</b>
<b>E</b>	7-10-15	Revised Variations	<b>TBW</b>	<b>CL</b>			
<b>D</b>	6-10-14	Revised Variations	<b>TBW</b>	<b>TWK</b>			
REV.	DATE	DESCRIPTION	BY	CKD. BY			