

ROOF DRAIN AND OVERFLOW DRAIN

DRAWING NUMBER
s1850

SIZE
A

SCALE:
NONE

DATE:
4-26-11

APPROVED BY:
CL

CHECKED BY:
CL

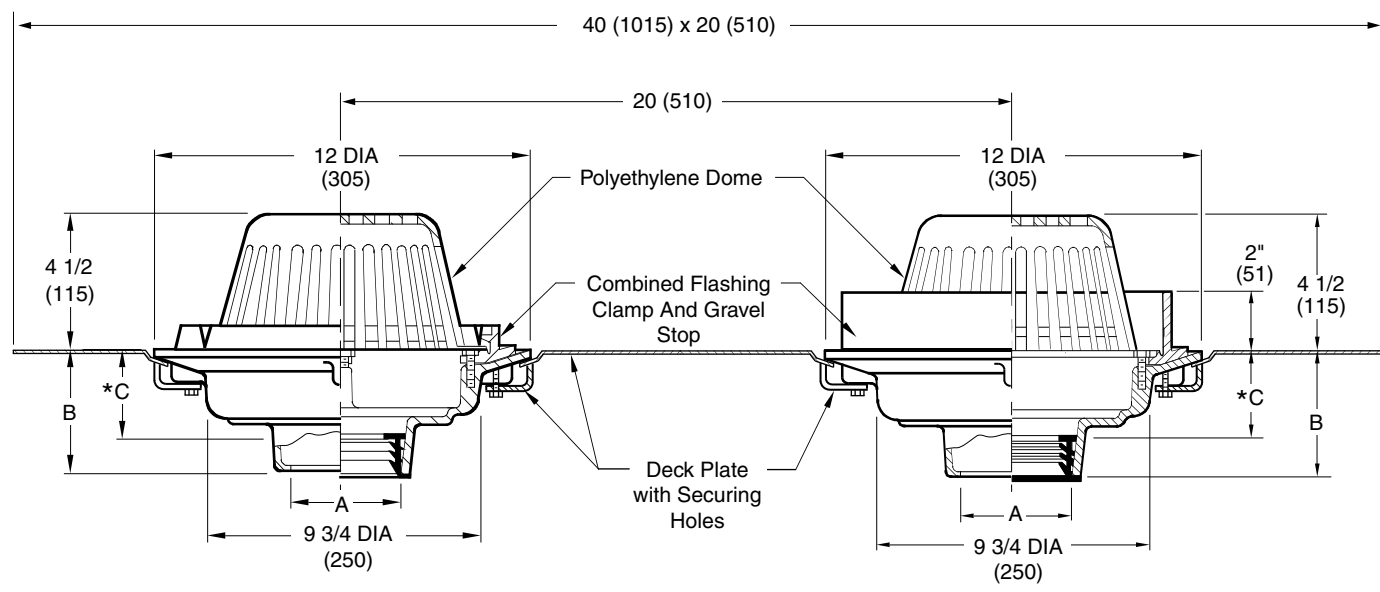
DRAWN BY:
TBW

1850

FIGURE NUMBER

WE CAN ASSUME NO RESPONSIBILITY FOR USE OF SUPERSEDED OR VOID DATA

DIMENSIONS ARE SUBJECT TO MANUFACTURERS TOLERANCE AND CHANGE WITHOUT NOTICE



1850C.....CAULK OUTLET
 1850Y..... NO-HUB OUTLET

A SIZE	B		*C	FREE AREA SQ IN (SQ CM)
	CAULK, NO-HUB, & SPEEDI-SET	THREADED		
02(50),03(75), 04(100) 05(125), 06(150)	6 (150)	4 3/4 (120)	4 3/4 (120)	71.5 (461)

REGULARLY FURNISHED:
 Duco Cast Iron Body, Double Deck Plate with Securing Holes, Combined Flashing Clamp and Gravel Stop for Roof Drain and External Water Dam for Overflow Drain, both with Polyethylene Dome.

- VARIATIONS:**
- Expansion Joint (Specify Fig.1710)
 - Extension (Specify Height) -E
 - L Speedi-Set Service Weight
 - LXH Speedi-Set Extra Heavy
 - Secondary Flashing Clamp -C2
 - Vandal Proof Dome -U
 - T Threaded Outlet

- OPTIONAL MATERIALS:**
- Aluminum Dome -AD
 - Cast Iron Dome -CID
 - Galvanized Cast Iron Dome -CIDG
 - Galvanized Cast Iron Body & Collar -G
 - Rough Bronze Dome -RBD

* NOTE: This Dimension to Internal Stop of Speedi-Set Gasket.

NOTE: Dimensions shown in parentheses are in millimeters.

WEIGHT POUNDS	VOLUME CUBIC FEET	FIGURE NUMBER 1850
---------------	-------------------	------------------------------

REV.	DATE	DESCRIPTION	BY	CKD. BY