

FIXTURE SUPPORTS

FIG. 0823, 0824, 0830, 0834, 0844 LAVATORY & DRINKING FOUNTAIN SUPPORTS FLOOR MOUNTED TYPE WITH SUPPORTING PLATE AND STUDS



CUSTOMER DRIVEN SINCE 1926

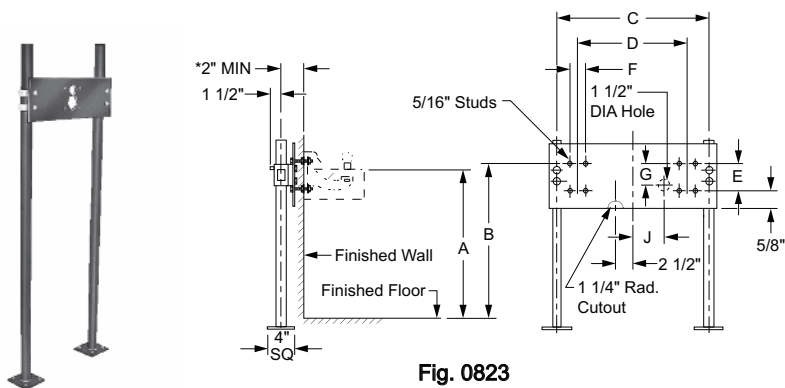


Fig. 0823

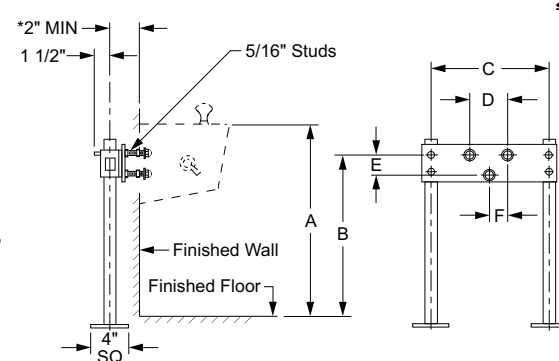


Fig. 0824

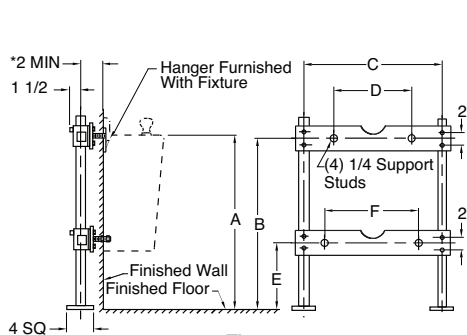


Fig. 0830

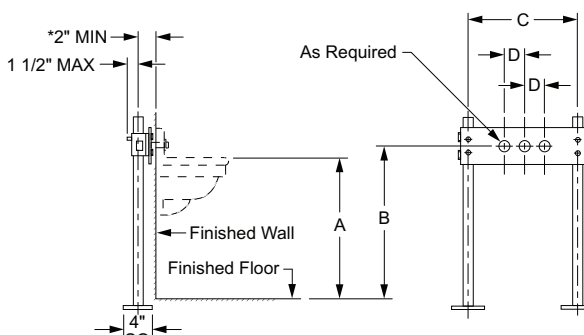


Fig. 0844

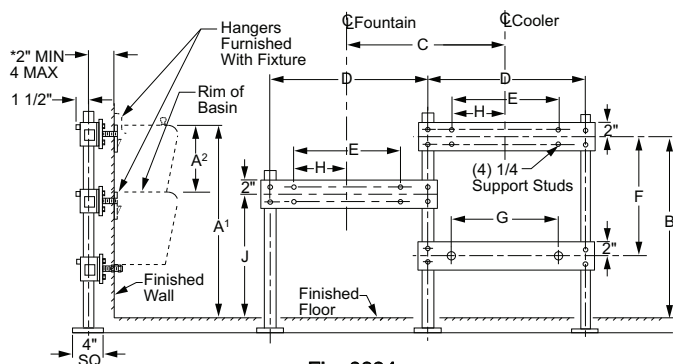


Fig. 0834

*This dimension can be increased when fixture support is to be installed behind the wall (specify when required and wall thickness).

NOTE: For metal stud wall construction, specify Suffix -M31 rectangular steel upright with welded base for greater strength. (0823, 0824, 0830 & 0844 only)

For lettered dimensions contact factory.

FIGURE NO.	DESCRIPTION	PRICE	APPROX. WT. LBS.
0823	For Multiple Drinking Fountains with Wall Brackets	POA	
0824	For Small Drinking Fountains with Integral Hangers	829.00	20
0830	For Electric Water Coolers	838.00	32
0834	For Electric Water Coolers	1,214.00	32
0844	For High Back Institutional Type Lavatories	756.00	32