

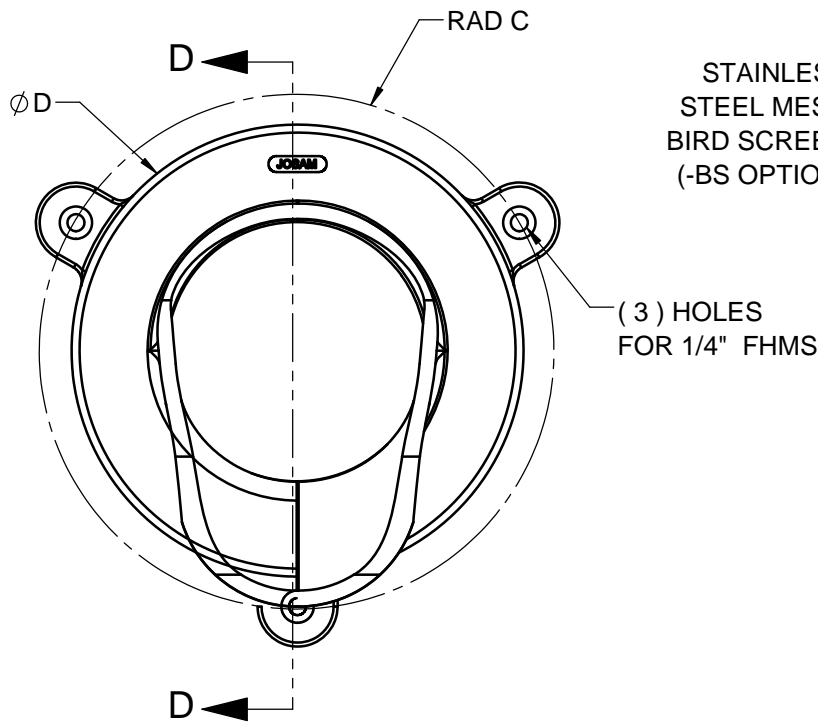
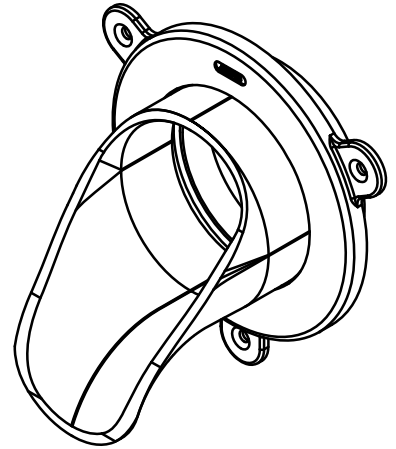
SPECIFICATION:

JOSAM 25010-T SERIES CAST BRONZE DOWNSPOUT NOZZLE, LOOSE WALL FLANGE AND INLET THREADED CONNECTION.

**ROOF DRAIN
DOWNSPOUT NOZZLE**

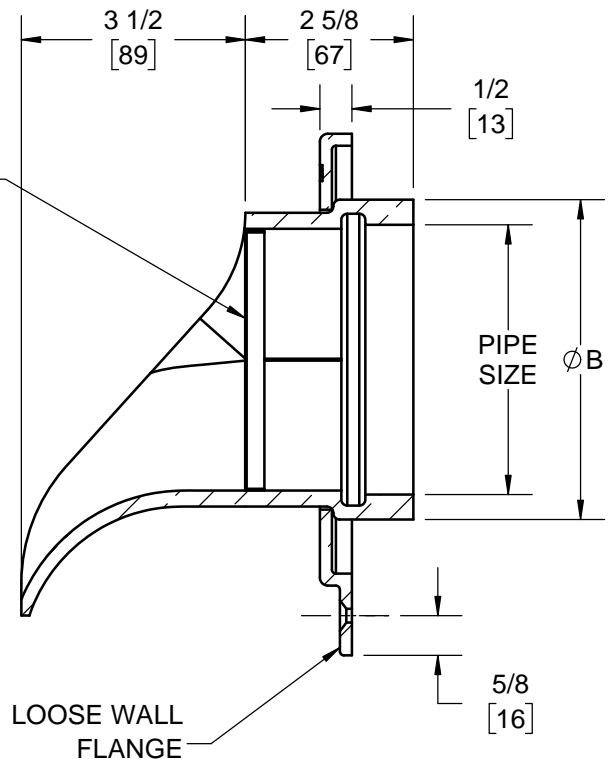
SERIES **25010-T**

	TYPE	PIPE SIZE	B	C	D
	25012-T	2"*	4	3 3/8	6
	25013-T	3"	4	3 3/8	6
	25014-T	4"	5	3 7/8	7
	25015-T	5"*	7 1/2	4 7/8	9
	25016-T	6"	7 1/2	4 7/8	9
	25018-T	8"	9 5/8	5 7/8	11
	25019-T	10"	11 1/4	6 3/4	12 3/4



STAINLESS
STEEL MESH
BIRD SCREEN
(-BS OPTION)

(3) HOLES
FOR 1/4" FHMS



-24	ROUGH NIKALOY (NICKEL-BRONZE)
-51	SATIN FINISH BRONZE
-BS	BIRD SCREEN
-PVC	CONNECTS TO PVC PIPE
-Z	NO-HUB OUTLET

*FOR 2" SIZE. FURNISHED WITH 3" BODY WITH 3" X 2"
FOR 5" SIZE. FURNISHED WITH 6" BODY WITH 6" X 5"

SEPARATE SUBMITTALS FOR THIS OPTION AVAILABLE

WARNING: Cancer and Reproductive Harm - www.P65Warnings.ca.gov

DATE OF LAST CHANGE: 6/28/18

DIMENSIONS ARE SUBJECT TO MANUFACTURERS TOLERANCES AND CHANGE WITHOUT NOTICE. WE CAN ASSUME NO RESPONSIBILITY FOR USE OF SUPERSEDED OR VOID DATA.

JOSAM
MICHIGAN CITY, INDIANA

NOTES