

K

**SMITH® JAY R. SMITH MFG. CO.®**  
 MEMBER OF MORRIS GROUP INTERNATIONAL  
 POST OFFICE BOX 3237  
 MONTGOMERY, ALABAMA 36109-0237 (USA)  
 TEL: 334-277-8520 FAX: 334-272-7396 www.jrsmith.com



LOCATION

DRAWING NUMBER  
S4040

SIZE  
A

SCALE:  
NONE

DATE:  
2-16-70

APPROVED BY:  
JM

CHECKED BY:  
BH

DRAWN BY:  
RK

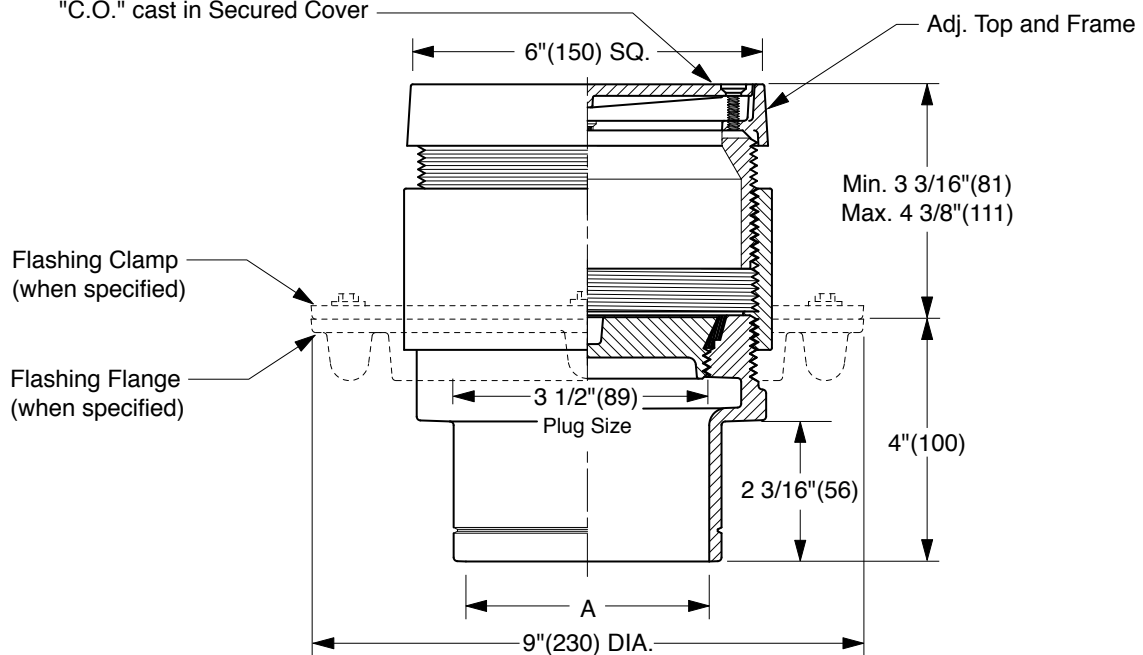
**4040 SERIES**

WE CAN ASSUME NO RESPONSIBILITY FOR USE OF SUPERSEDED OR VOID DATA  
DIMENSIONS ARE SUBJECT TO MANUFACTURERS TOLERANCE AND CHANGE WITHOUT NOTICE

# FINISHED FLOOR CLEANOUTS WITH "TWIS-TO-FLOOR®" ADJUSTABLE TOPS

## SQUARE NICKEL BRONZE TOP

**FUNCTION:** For use in finished floors bearing foot and medium load wheeled traffic. The square top is particularly adaptable to floors that are finished of material in straight line patterns. Allows for easy floor level adjustment.



TWIS-TO-FLOOR® ADJUSTMENT

NO-HUB OUTLET

"A" (Pipe Size) = 02(50), 03(75), 04(100) or 05(125)

- Fig. 4040S.....Gasket Seal - ABS Plug
- Fig. 4041S.....Gasket Seal - Bronze Plug
- Fig. 4043S.....Taper Thread - Bronze Plug
- Fig. 4044S.....Taper Thread - ABS Plug

(Twis-to-Floor® design shown with gasketed plug.)

**REGULARLY FURNISHED:**

Duco Cast Iron Cleanout with Square Adjustable Scoriated Secured Nickel Bronze Top. Closure Plug Type as Indicated By Figure Number Selected.

**VARIATIONS:**

- Flashing Flange -F
- Flange with Flashing Clamp -F-C
- Vandal Proof Top -U

**OPTIONAL MATERIALS:**

- Galvanized Cast Iron -G
- Polished Bronze Top -PB

**NOTE:** Dimensions shown in parentheses are in millimeters.

REV.	DATE	DESCRIPTION	BY	CKD. BY	WEIGHT POUNDS	VOLUME CUBIC FEET	FIGURE NUMBER
K J H	07/26/02 05/03/01 10/17/00	Corrected Clamp & Flange view Edited Outlet Text New design	JJ JJ JJ	CL CL BS			<b>4040 SERIES</b>



**JAY R. SMITH MFG. CO.**  
 MEMBER OF MORRIS GROUP INTERNATIONAL  
 POST OFFICE BOX 3237  
 MONTGOMERY, ALABAMA 36109-0237 (USA)  
 TEL: 334-277-8520 FAX: 334-272-7396 www.jrsmith.com

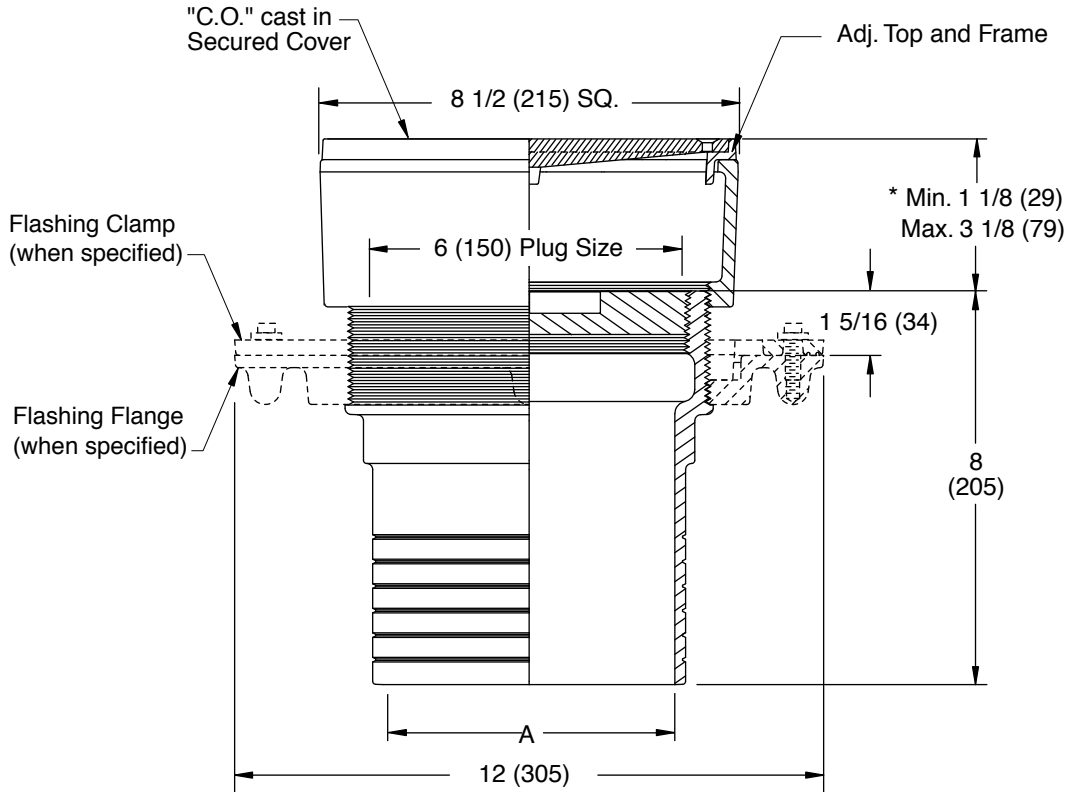


LOCATION

# FINISHED FLOOR CLEANOUTS WITH "TWIS-TO-FLOOR®" ADJUSTABLE TOPS

## SQUARE NICKEL BRONZE TOP

**FUNCTION:** For use in finished floors bearing foot and medium load wheeled traffic. Allows for easy floor level adjustment.



### SPIGOT OUTLET▲

"A" (Pipe Size) = 06(150) & 08(200)

▲ Sized for Service Weight and/or NO-HUB.

\* When Flange-F is specified Min. 1 1/8 (29) becomes 1 5/8 (41)

### "TWIS-TO-FLOOR®" ADJUSTMENT

#### SPIGOT OUTLET▲

Fig. 4043S.....Taper Thread - Bronze Plug

#### REGULARLY FURNISHED:

Duco Cast Iron Cleanout with Taper Thread Bronze Plug and Square Adjustable Scoriated Secured Nickel Bronze Top.

#### VARIATIONS:

- Flashing Flange -F
- Flange with Flashing Clamp -F-C
- Vandal Proof Top -U

#### OPTIONAL MATERIALS:

- Galvanized Cast Iron -G
- Polished Bronze Top -PB

**NOTE:** Dimensions shown in parentheses are in millimeters.

DRAWING NUMBER  
S4040BS

SIZE  
A

SCALE:  
NONE

DATE:  
5-5-06

APPROVED BY:  
CEL

CHECKED BY:  
CL

DRAWN BY:  
RN

FIGURE NUMBER  
4043

WE CAN ASSUME NO RESPONSIBILITY FOR USE OF SUPERSEDED OR VOID DATA

REV.	DATE	DESCRIPTION	BY	CKD. BY

WEIGHT POUNDS	VOLUME CUBIC FEET

FIGURE NUMBER <b>4043</b>
------------------------------



**WARNING:** Cancer and Reproductive Harm - www.P65Warnings.ca.gov