

K

**SMITH® JAY R. SMITH MFG. CO.®**  
 MEMBER OF MORRIS GROUP INTERNATIONAL  
 POST OFFICE BOX 3237  
 MONTGOMERY, ALABAMA 36109-0237 (USA)  
 TEL: 334-277-8520 FAX: 334-272-7396 www.jrsmith.com

ASPE  
 MEMBER OF:  
 PDH

LOCATION

DRAWING NUMBER  
S2488

SIZE  
A

SCALE:  
NONE

DATE:  
5-17-85

APPROVED BY:  
TD

CHECKED BY:  
TD

DRAWN BY:  
PJ

2488

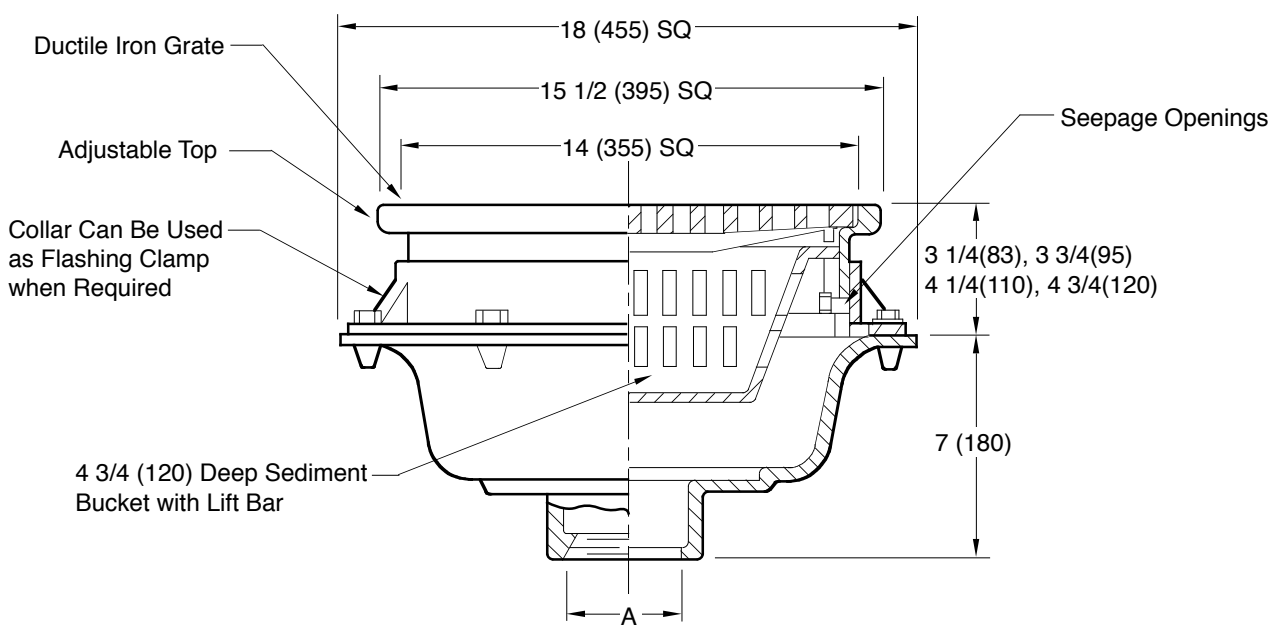
WE CAN ASSUME NO RESPONSIBILITY FOR USE OF SUPERSEDED OR VOID DATA  
 DIMENSIONS ARE SUBJECT TO MANUFACTURERS TOLERANCE AND CHANGE WITHOUT NOTICE

# TRAFFIC FLOOR DRAINS

## HEAVY DUTY PACKING HOUSE DRAIN

Load Rating: Heavy Duty having a Safe Live (Static) Load between 5,000 lbs. (2,250 kg) and 7,499 lbs (3,375 kg) per ASME A112.6.3 Floor Drain Standard. For the specific Safe Live Load rating of any grate, contact the Smith representative or factory direct.

Free Area  
63 SQ IN  
(406) SQ CM



A (Pipe Size) = 03(75), 04(100), 05(125) or 06(150)

- Fig. 2488C . . . CAULK OUTLET
- Fig. 2488T . . . THREADED OUTLET

**REGULARLY FURNISHED:**  
 Duco Cast Iron Body, Flashing Collar and Adjustable Top with Ductile Iron Grate and Cast Iron Sediment Bucket.

- VARIATIONS:**
- Adjustable Extensions 5"(125) to 6 1/2(165) -E
  - Flat Bottom Strainer -FBS
  - Less Bucket (Specify Fig. 2487)
  - Vandal Proof Grate -U
  - Quad Close Trap Seal (Specify Fig. 2692)

- OPTIONAL MATERIALS:**
- Aluminum Bucket -AB
  - Galvanized Cast Iron -G

**NOTE:** Dimensions shown in parentheses are in millimeters.

FIGURE NUMBER	K J H G	7-22-19 6-18-19 7-2-15 5-13-10	Added Load Rating Removed Function Revised Variations Revised Optional Materials	MW MW TBW RN	JM JM CL CL	WEIGHT POUNDS	VOLUME CUBIC FEET	FIGURE NUMBER <b>2488</b>
REV.	DATE	DESCRIPTION	BY	CKD. BY				