

H

SMITH® JAY R. SMITH MFG. CO.®
 MEMBER OF MORRIS GROUP INTERNATIONAL
 POST OFFICE BOX 3237
 MONTGOMERY, ALABAMA 36109-0237 (USA)
 TEL: 334-277-8520 FAX: 334-272-7396 www.jrsmith.com



LOCATION

DRAWING NUMBER
S2475

SIZE
A

SCALE:
NONE

DATE:
5-22-89

APPROVED BY:

CHECKED BY:
McD

DRAWN BY:
CMB

2475, 2478

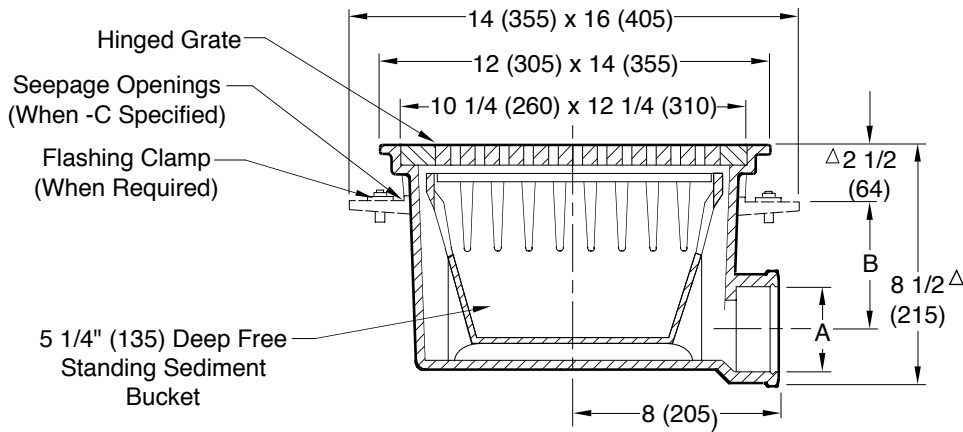
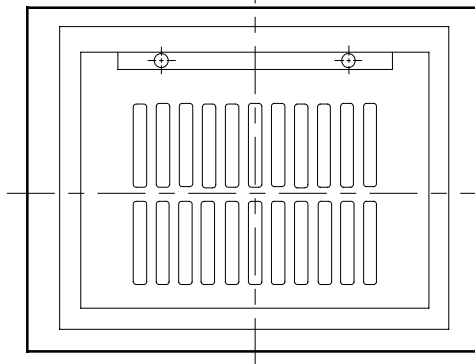
WE CAN ASSUME NO RESPONSIBILITY FOR USE OF SUPERSEDED OR VOID DATA
DIMENSIONS ARE SUBJECT TO MANUFACTURERS TOLERANCE AND CHANGE WITHOUT NOTICE

TRAFFIC FLOOR DRAINS

MEDIUM DUTY DRAINS WITH SIDE OUTLET HINGED GRATE AND FREE STANDING SEDIMENT BUCKET

Load Rating: Medium Duty having a Safe Live (Static) Load between 2,000 lbs. (900 kg) and 4,999 lbs. (2,250 kg) per ASME A112.6.3 Floor Drain Standard. For the specific Safe Live Load rating of any grate, contact the Smith representative or factory direct.

Free Area
47 SQ IN
(309) SQ CM



CAULK OUTLET

- Fig. 2475C LESS FLANGE
- Fig. 2478C WITH FLANGE

A SIZE	02 (50)	03 (75)	04 (100)
B	4 (100)	3 1/2 (89)	3 (76)

Δadd 5/32" (4) when bronze top is specified.

REGULARLY FURNISHED:
Duco Cast Iron Body with Heavy Duty Hinged Grate and Cast Iron Sediment Bucket.

- VARIATIONS:**
- Flashing Clamp -C (Fig. 2478 only)
 - Vandal Proof Grate -U
 - T Threaded Outlet
 - Y NO-HUB Outlet

- OPTIONAL MATERIALS:**
- Aluminum Bucket -AB
 - Ductile Iron Grate -M
 - Galvanized Cast Iron -G
 - Nickel Bronze Top -NB
 - Polished Bronze Top -PB
 - Stainless Steel (Specify Fig. 9755)

NOTE: Dimensions shown in parentheses are in millimeters.

FIGURE NUMBER	H G F E	7-25-19 6-18-19 1-28-15 8-23-05	Added Load Rating Removed Function Revised Variations Revised Dim	MW MW TBW TBW	JM JM CL CL	WEIGHT POUNDS	VOLUME CUBIC FEET	FIGURE NUMBER 2475, 2478
REV.	DATE	DESCRIPTION	BY	CKD. BY				