

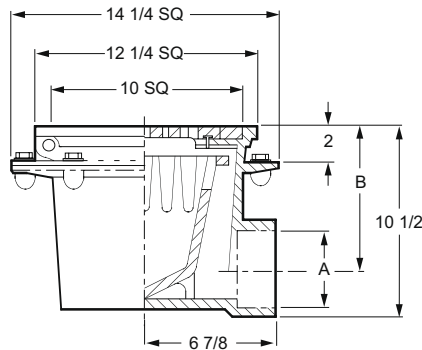
FLOOR DRAINS



FIG. 2420 TRAFFIC FLOOR DRAIN WITH 12" SQUARE TOP AND FREE STANDING SEDIMENT BUCKET

FUNCTION: Used in boiler rooms, industrial plants and other applicable areas where waste water contains debris or salvageable materials which must be intercepted. Large hinged grate permits easy access for bucket removal.

2420
Same as
2425
less Flange



A OUTLET SIZE	TOP SIZE	FREE AREA SQ IN	B	†DUCO CI	DUCO CI PB TOP	DUCO CI NB TOP	APPROX. WEIGHT LBS
03"	12" SQ	27	6 1/4"	2,223.00	3,133.00	3,318.00	65
04"	12" SQ	27	5 3/4"	2,223.00	3,133.00	3,318.00	65
05"	12" SQ	27	5 1/4"	2,223.00	3,133.00	3,318.00	65
06"	12" SQ	27	4 3/4"	2,223.00	3,133.00	3,318.00	65

REGULARLY FURNISHED: Duco Cast Iron Body with Hinged Grate, Locking Device and Sediment Bucket.

OUTLET VARIATIONS (Specify type of outlet and pipe size in inches.)

Outlet Type	Outlet Designation Outlet Type/Pipe Size	ADD
Inside Caulk Only	C03, C04, C05, C06	N/C

OPTIONS:

Option	Description	ADD
-ARI	ARC Inside	778.00
-ARIO	ARC In and Out	1,031.00
-G	Galvanized CI	887.00
-M	Ductile Iron Grate	604.00
-P	Trap Primer Conn	163.00
-SC	Solid Scoriated Cover	POA
-SSM	SS Mesh on Bucket	416.00
-U	Vandal Proof Grate	146.00

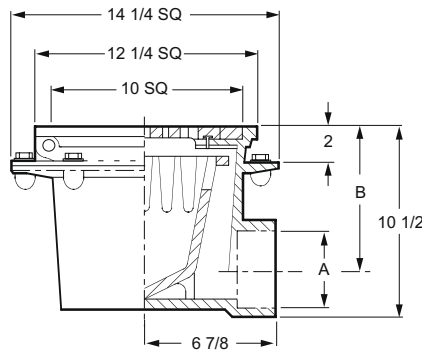
DEDUCT

-LB	Less Bucket	166.00
-LLD	Less Locking Device	311.00
-LSG	Loose Set Grate	549.00

FLOOR DRAINS

FIG. 2425 TRAFFIC FLOOR DRAIN WITH 12" SQUARE TOP AND FREE STANDING SEDIMENT BUCKET

FUNCTION: Used in boiler rooms, industrial plants and other applicable areas where waste water contains debris or salvageable materials which must be intercepted. Large hinged grate permits easy access for bucket removal.



A OUTLET SIZE	TOP SIZE	FREE AREA SQ IN	B	†DUCO CI	DUCO CI PB TOP	DUCO CI NB TOP	APPROX. WEIGHT LBS
03"	12" SQ	27	6 1/4"	2,223.00	3,133.00	3,318.00	65
04"	12" SQ	27	5 3/4"	2,223.00	3,133.00	3,318.00	65
05"	12" SQ	27	5 1/4"	2,223.00	3,133.00	3,318.00	65
06"	12" SQ	27	4 3/4"	2,223.00	3,133.00	3,318.00	65

REGULARLY FURNISHED: Duco Cast Iron Body with Hinged Grate, Locking Device and Sediment Bucket.

OUTLET VARIATIONS (Specify type of outlet and pipe size in inches.)

Outlet Type	Outlet Designation Outlet Type/Pipe Size	ADD
Inside Caulk Only	C03, C04, C05, C06	N/C

OPTIONS:

Option	Description	ADD
-ARI	ARC Inside	778.00
-ARIO	ARC In and Out	1,031.00
-C	Flashing Clamp	N/C
-G	Galvanized CI	887.00
-M	Ductile Iron Grate	604.00
-P	Trap Primer Conn	163.00
-SC	Solid Scoriated Cover	POA
-SSM	SS Mesh on Bucket	416.00
-U	Vandal Proof Grate	146.00

DEDUCT

-LB	Less Bucket	166.00
-LLD	Less Locking Device	311.00
-LSG	Loose Set Grate	549.00