

J

SMITH® JAY R. SMITH MFG. CO.®
 MEMBER OF MORRIS GROUP INTERNATIONAL
 POST OFFICE BOX 3237
 MONTGOMERY, ALABAMA 36109-0237 (USA)
 TEL: 334-277-8520 FAX: 334-272-7396 www.jrsmith.com



LOCATION

DRAWING NUMBER
S1083

SIZE
A

SCALE:
NONE

DATE:
5-24-85

APPROVED BY:
TD

CHECKED BY:
TD

DRAWN BY:
VGD

1083,1088

FIGURE NUMBER

WE CAN ASSUME NO RESPONSIBILITY FOR USE OF SUPERSEDED OR VOID DATA
DIMENSIONS ARE SUBJECT TO MANUFACTURERS TOLERANCE AND CHANGE WITHOUT NOTICE

LARGE SPECIAL PURPOSE ROOF DRAINS

RAINTROL® ROOF DRAIN FLAT ROOF DESIGN

FUNCTION: Used to control the flow of rain water off a roof. Trapezoidal weirs limit the flow to the leader. Adjustable to provide various flow rates as required.

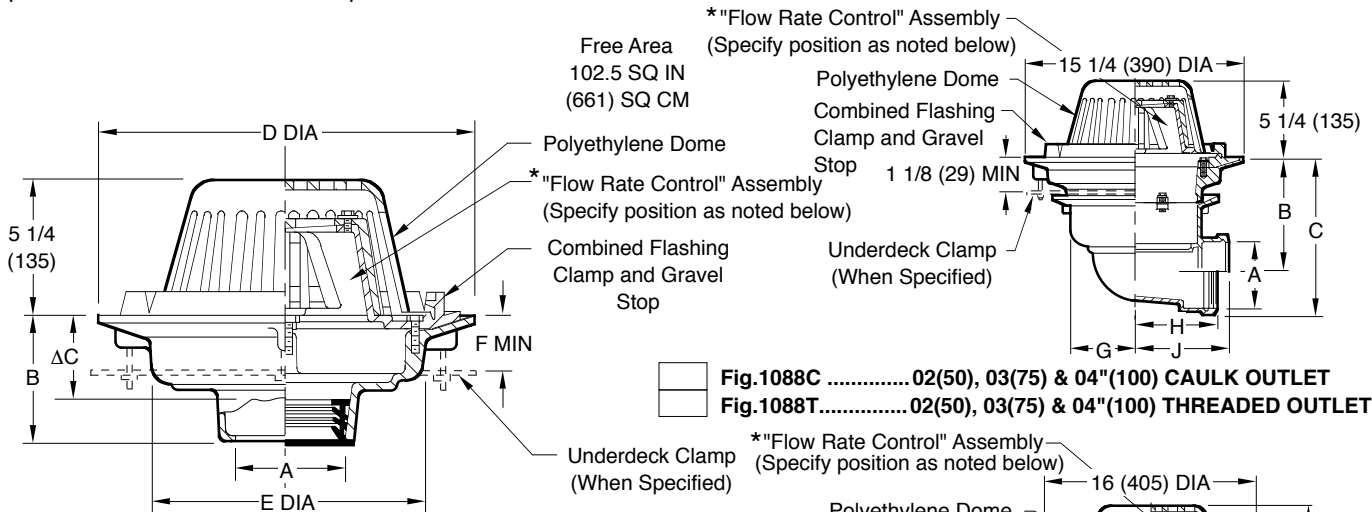


Fig. 1083CCAULK OUTLET
 Fig. 1083Y.....NO-HUB OUTLET

Fig.1088C02(50), 03(75) & 04"(100) CAULK OUTLET
 Fig.1088T.....02(50), 03(75) & 04"(100) THREADED OUTLET

recommended deck opening

outlet size	with suffix-R	less suffix-R
02(50),03(75),04(100)	17(430)	14(355)
05(125),06(150)	DIA	DIA

NOTE: Please call our main office or your local Representative if more information on selection, sizing and placement of our "Raintrol" roof drains is required.

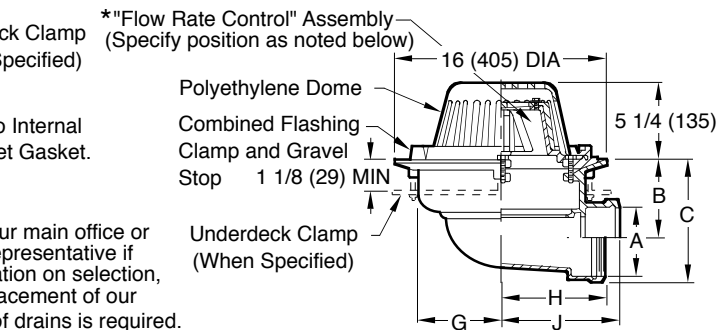


Fig. 1088C05(125) & 06"(150) CAULK OUTLET
 Fig. 1088T.....05(125) & 06"(150) THREADED OUTLET

A SIZE	B (BOTTOM OUTLET)						SIDE OUTLET		
	CAULK, NO-HUB, & SPEEDI-SET	THREADED	C	D DIA	E DIA	F MIN	G	H	J
02(50),03(75),04(100)	5(125)	3 3/4(95)	3 3/4(95)	15 1/4 (390)	11(280)	1 1/8(29)	4 3/4(120)	6(150)	7 3/4(195)
05(125),06(150)	5(125)	3 3/4(95)	3 3/4(95)	15 1/4 (390)	11(280)	1 1/8(29)	6 1/4(160)	6 7/8(175)	7 3/4(195)

(SIDE OUTLET)

A SIZE	02(50)	03(75)	04(100)	05(125)	06(150)
B	6 7/8 (175)	6 3/8 (162)	5 7/8 (149)	5 (125)	4 1/2 (115)
C	8 5/8 (219)	8 3/4 (220)	8 3/4 (220)	8 1/2 (215)	8 1/2 (215)

REGULARLY FURNISHED:
 Duco Cast Iron Body with Combined Flashing Clamp and Gravel Stop with Adjustable "Flow Rate Control" Assembly and Polyethylene Dome.

- VARIATIONS:**
- Expansion Joint (Specify Fig. 1710) (Fig. 1083 only)
 - Extension (Specify Height) -E
 - "L" Shaped Underdeck Clamp -CL
 - L Speedi-Set Service Weight 02(50), 03(75) & 04"(100) sizes only (Fig. 1083 only)
 - LXH Speedi-Set Extra Heavy 02(50), 03(75) & 04"(100) sizes only (Fig. 1083 only)
 - NO-HUB Adaptor (Specify Fig. 2646Y) (Fig. 1088 only)
 - Secondary Flashing Clamp -C2
 - Sump Receiver -R
 - Underdeck Clamp -C
 - Vandal Proof Dome -U
 - T Threaded Outlet

ALWAYS SPECIFY NUMBER OF WEIR OPENINGS

(-WR1)	(-WR2)	(-WR3)	(-WR4)
--------	--------	--------	--------

***NOTE:**
 (-WR1) 1 WEIR OPENING
 (-WR2) 2 WEIR OPENING
 (-WR3) 3 WEIR OPENING
 (-WR4) 4 WEIR OPENING

- OPTIONAL MATERIALS:**
- ▲ Aluminum Dome -AD
 - ▲ Cast Iron Dome -CID
 - Galvanized Cast Iron Body & Collar -G
 - ▲ Galvanized Cast Iron Dome -CIDG
 - ▲ Rough Bronze Dome -RBD

▲ Optional domes' free area are as follows:

Aluminum	98 (632)
Cast Iron	80 (516)
Bronze	95 (613)

NOTE: Dimensions shown in parentheses are in millimeters.

J	4-13-16	Revised Variations	TBW	CL	WEIGHT	VOLUME	FIGURE NUMBER
H	06/04/09	Added Optional Dome Notes	JJ	CL	POUNDS	CUBIC FEET	1083,1088
G	5-26-99	Rev. Opt. Mat.	CMD	BS			
REV.	DATE	DESCRIPTION	BY	CKD. BY			