

G



**JAY R. SMITH MFG. CO.**  
 MEMBER OF MORRIS GROUP INTERNATIONAL  
 POST OFFICE BOX 3237  
 MONTGOMERY, ALABAMA 36109-0237 (USA)  
 TEL: 334-277-8520 FAX: 334-272-7396 www.jrsmith.com



MEMBER OF:

LOCATION

DRAWING NUMBER  
S0870 (B)SIZE  
ASCALE:  
NONEDATE:  
9-11-63APPROVED BY:  
TDCHECKED BY:  
RPDRAWN BY:  
SL

0870

FIGURE  
NUMBERWE CAN ASSUME NO RESPONSIBILITY FOR USE OF SUPERSEDED OR VOID DATA  
DIMENSIONS ARE SUBJECT TO MANUFACTURERS TOLERANCE AND CHANGE WITHOUT NOTICE

# HEAVY DUTY SINK SUPPORTS

## FLOOR MOUNTED WITH ACID RESISTANT COATED EXPOSED ARMS & "PRO-SET" UPRIGHTS

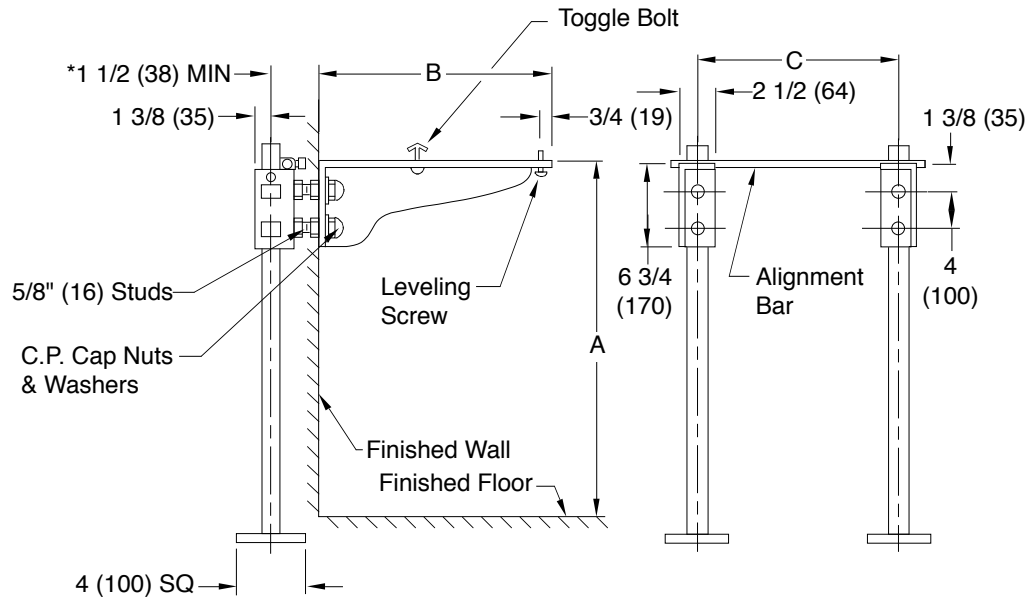
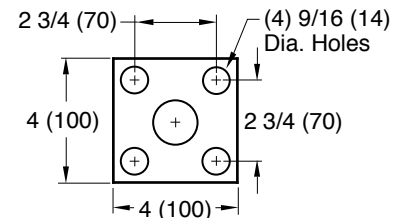


Fig. 0870 . . . FOR KITCHEN AND SERVICE SINKS

\*This dimension can be increased when fixture support is to be installed behind the wall (specify when required and wall thickness).

**NOTE:** Dimensions shown in parentheses are in millimeters.



BASE DETAIL

### ROUGHING-IN TABLE

| FIXTURE NAME | NUMBER | SIZE | A | B | C |
|--------------|--------|------|---|---|---|
|              |        |      |   |   |   |

**NOTE:** The rough-in dimensions listed on this drawing are based on current information available to Jay R. Smith by the fixture manufacturers. We recommend that you verify these dimensions with the fixture manufacturer. We will not accept responsibility for rough-in dimension changes by the fixture manufacturer.

| REV. | DATE     | DESCRIPTION                   | BY  | CKD. BY | WEIGHT POUNDS | VOLUME CUBIC FEET | FIGURE NUMBER |
|------|----------|-------------------------------|-----|---------|---------------|-------------------|---------------|
| G    | 9-23-10  | Replace Base Detail / added @ | RN  | CL      |               |                   | 0870          |
| F    | 01/19/00 | Revised Base Plate            | JJ  | BS      |               |                   |               |
| E    | 4-3-97   | Added Millimeters             | EMB | BS      |               |                   |               |
| D    | 8-18-93  | Submittal Update              | EMB | EMB     |               |                   |               |



**WARNING:** Cancer and Reproductive Harm - www.P65Warnings.ca.gov