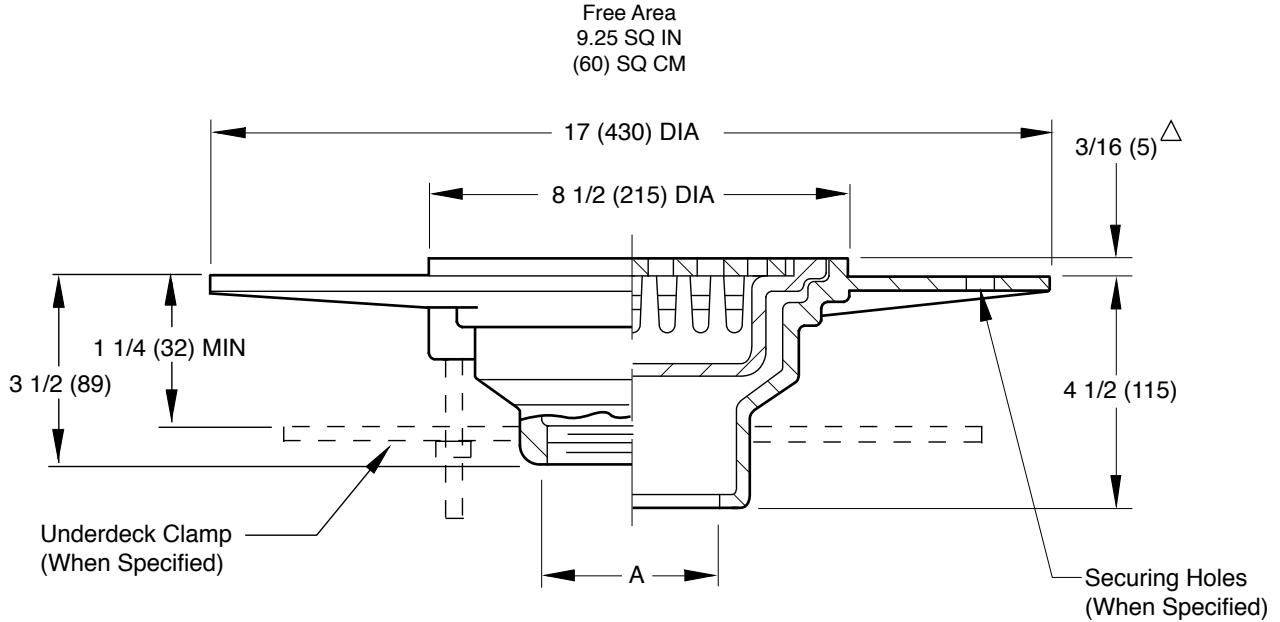


GENERAL PURPOSE ROOF DRAINS

MEDIUM WIDE FLANGE BODY WITH "SAFE-SET" BUCKET

FUNCTION: Used in promenade roof decks where waterproof traffic bearing covering is to be applied. Sediment bucket prevents debris from entering the waste system.



Free Area
 9.25 SQ IN
 (60) SQ CM

A (Pipe Size) = 02(50), 03(75) or 04(100)

Fig. DX1240C CAULK OUTLET
 Fig. DX1240T THREADED OUTLET

△ add 3/16"(5) when bronze top is specified.

REGULARLY FURNISHED:
 Duco Cast Iron Wide Flange Body with
 Grate and "Safe-Set" Sediment Bucket.

Use only where light rainfall is prevalent or in covered roof areas. When heavy rainfall is anticipated use DX1010 or DX2566.

NOTE: Recommended deck opening 9 1/4(235).

VARIATIONS:

- Membrane Clamp (Specify DX2565R)
- NO-HUB Adaptor (Specify Fig. 2646Y)
- Securing Holes -SH
- Underdeck Clamp -C

OPTIONAL MATERIALS:

- Galvanized Cast Iron -G
- Nickel Bronze Top -NB
- Polished Bronze Top -PB

NOTE: Dimensions shown in parentheses are in millimeters.

DRAWING NUMBER
 SDX1240

SIZE
 A

SCALE:
 NONE

DATE:
 8-10-06

APPROVED BY:
 CL

CHECKED BY:
 CL

DRAWN BY:
 TBW

FIGURE NUMBER
 DX1240

WE CAN ASSUME NO RESPONSIBILITY FOR USE OF SUPERSEDED OR VOID DATA

DIMENSIONS ARE SUBJECT TO MANUFACTURERS TOLERANCE AND CHANGE WITHOUT NOTICE

REV.	DATE	DESCRIPTION	BY	CKD. BY	WEIGHT POUNDS	VOLUME CUBIC FEET	FIGURE NUMBER
							DX1240