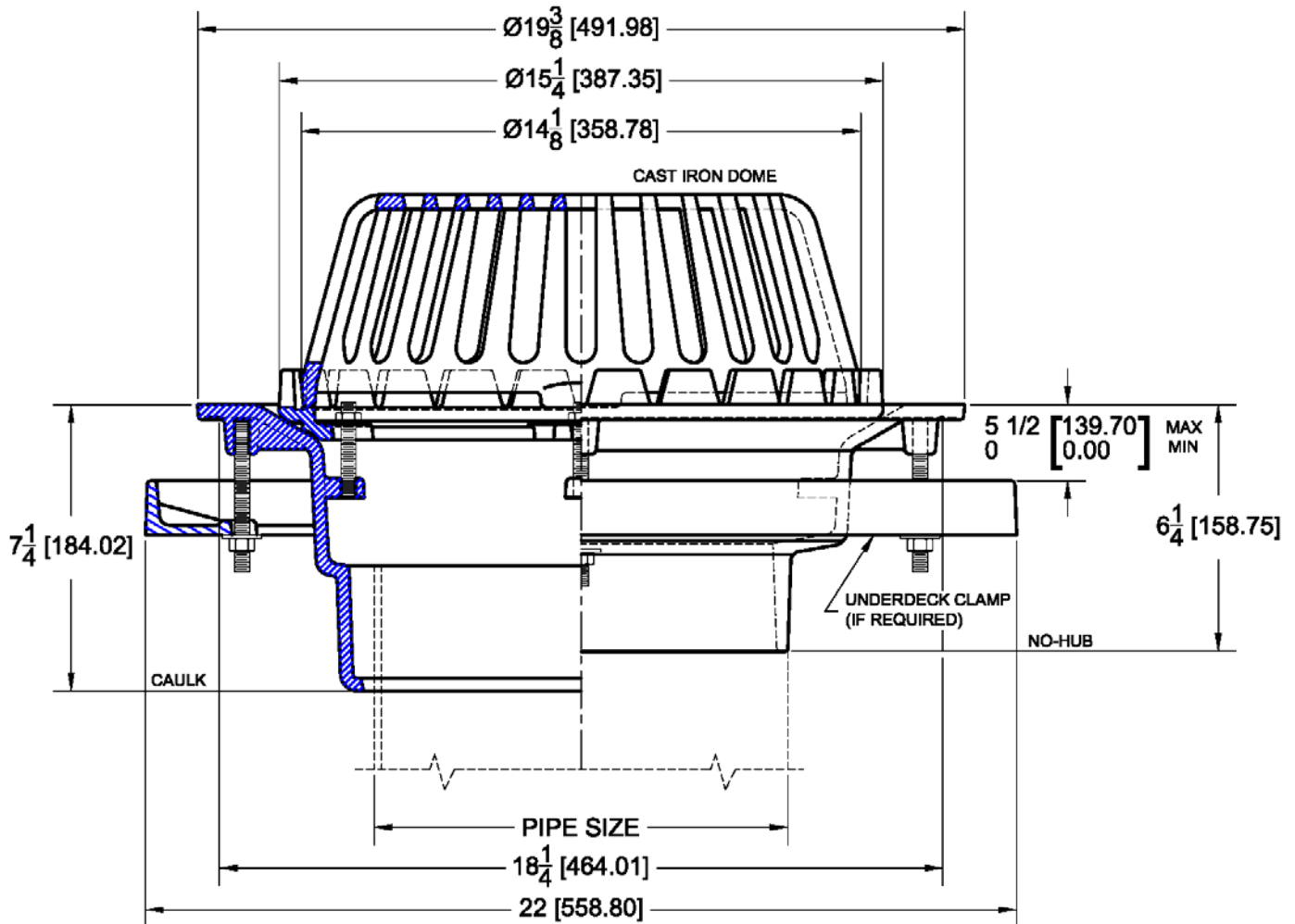


## 3001 High Capacity Primary Roof Drain

Regularly Furnished: Painted cast iron primary roof drain with flange, combination membrane flashing clamp / gravel guard, medium sump body, mushroom dome and bottom outlet.



Top Material		
✓	Suffix	Description
	-3	Bronze Dome
	-42	Cast Iron Dome
	-46	Aluminum Dome

Outlet Variations		
✓	Type	Designation
	No-Hub	8NH, 10NH, 12NH
	Inside Caulk	8IC, 10IC

Extensions		
✓	Suffix	Description
	-AE	Adjustable Drain Riser (Stair Step Style)
	-DF	Fixed Extension (Specify 1",2",3",4")
	-EB	Adjustable Drain Extension Flange

Options		
✓	Suffix	Description
	-ARC	Acid Resistant Coating (C.I. Parts)
	-AW	Adjustable Water Level Regulator
	-D	2" High Overflow Dam
	-DFS	Perforated Stainless Steel Extension
	-DP	Perforated Stainless Steel Gravel Stop
	-E	Elastomeric Flange
	-SD	Adjustable Internal Overflow Standpipe
	-VP	Vandal Proof Secured Grate
	-39	Galvanized Iron Parts
	-48	Flush Grate in Lieu of Dome
	-49	Bronze Mesh Lining on Dome
	-50	Stainless Steel Mesh Lining on Dome
	-52	Bearing Pan (Sump Receiver)
	-53	Under Deck Clamp
	-189	Bearing Pan w/ Securing Package