

A

DRAWING NUMBER
s1902

SIZE
A

SCALE:
NONE

DATE:
3-17-13

APPROVED BY:
BW

CHECKED BY:
BW

DRAWN BY:
TBW

1902

FIGURE NUMBER

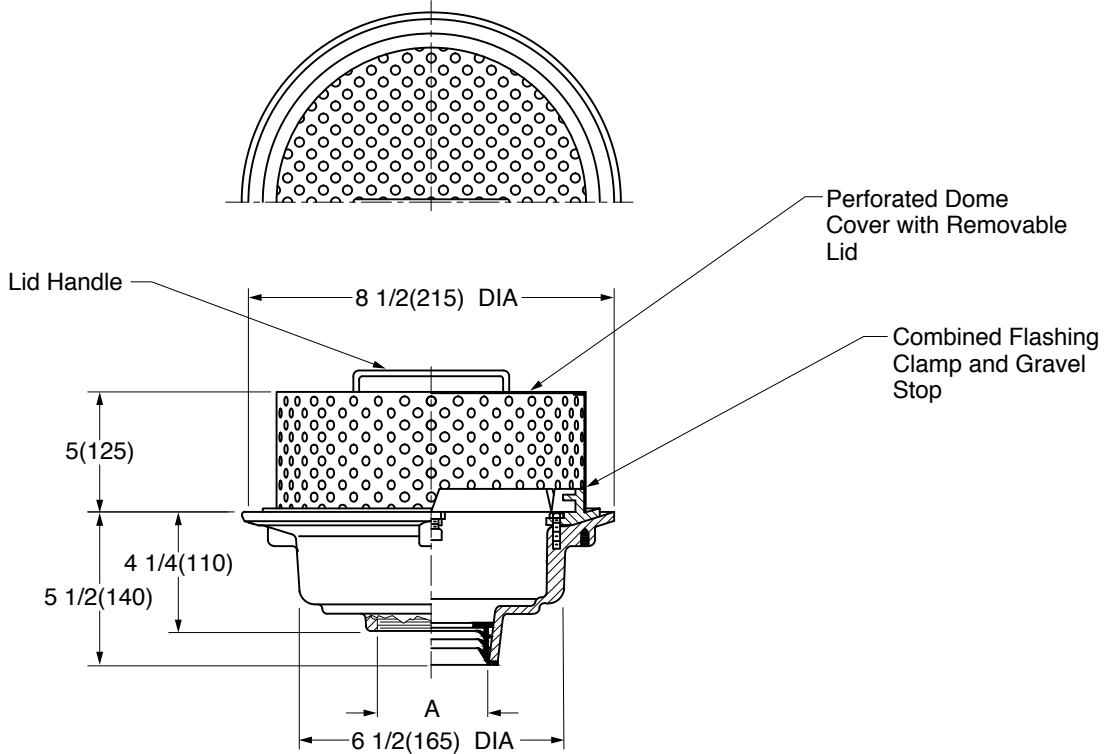
WE CAN ASSUME NO RESPONSIBILITY FOR USE OF SUPERSEDED OR VOID DATA

DIMENSIONS ARE SUBJECT TO MANUFACTURERS TOLERANCE AND CHANGE WITHOUT NOTICE

SPECIAL PURPOSE PLANTER DRAIN

LOW PROFILE PERFORATED DOME WITH REMOVABLE LID

FUNCTION: Used as a roof/planter drain. Low profile perforated dome cover allows ample free area for high volume drainage. Dome has removable lid with handle for inspecting and cleaning out drain sump.



A (Pipe Size) = 02(50), 03(75), 04(100)

- Fig. 1902Y..... NO HUB OUTLET
- Fig. 1902C CAULK OUTLET

REGULARLY FURNISHED:

Duco Cast Iron body, Combined Flashing Clamp and Gravel Stop with Perforated Stainless Steel Dome Cover with Removable Lid.

OPTIONAL MATERIALS:

- L Speedi-Set Service Weight Outlet Conn. (02, 03, and 04 Sizes Only)
- LXH Speedi-Set Extra Heavy Duty Outlet Conn. (02, 03, and 04 Sizes Only)
- T Threaded Outlet Conn. Extension (Specify Height) -E
- Secondary Flashing Clamp -C2
- Vandal Proof Dome Cover -U

VARIATIONS:

- Galvanized Cast Iron Body & Collar -G

NOTE: Dimensions shown in parentheses are in millimeters.

REV.	DATE	DESCRIPTION	BY	CKD. BY	WEIGHT POUNDS	VOLUME CUBIC FEET	FIGURE NUMBER
A	10-7-15	Added Pipe Size	TBW	BW			1902