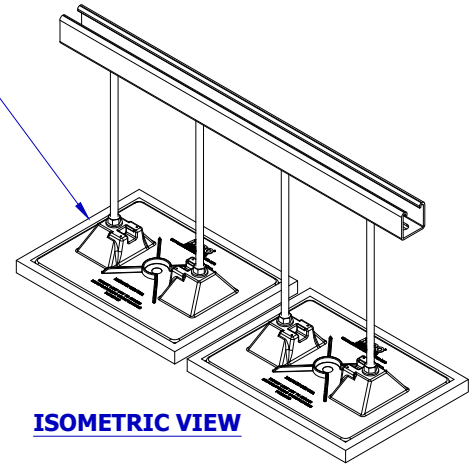
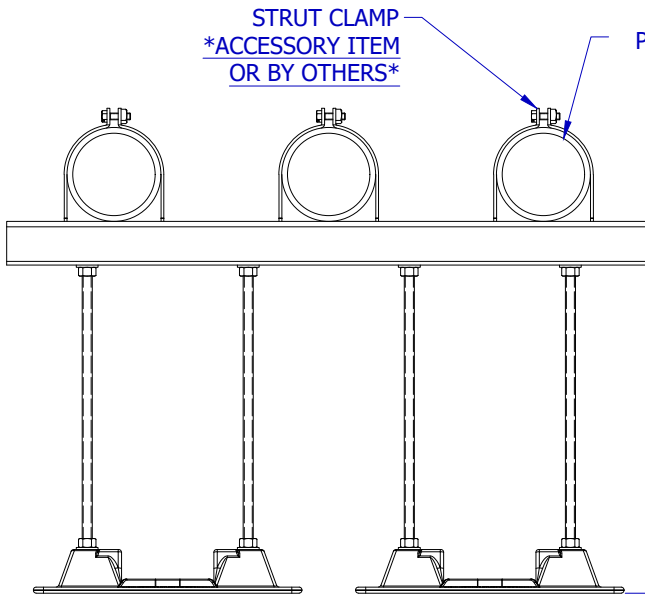


**TOP VIEW**

7 1/2" x 10" SUPPORT PAD  
\*ACCESSORY ITEM\*



**ISOMETRIC VIEW**

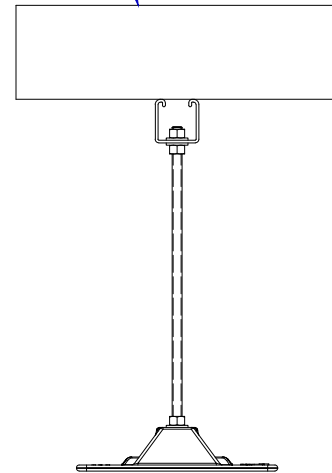


**END VIEW**

STRUT CLAMP  
\*ACCESSORY ITEM  
OR BY OTHERS\*

PIPE/CONDUIT BY OTHERS  
ILLUSTRATION ONLY

13 7/8" MAX  
4 1/8" MIN



**SIDE VIEW**

**ACCESSORIES**

- Strut Clamp - Order to Pipe O.D.
- (2) 7 1/2" x 10" Support pads
- Eternabond® 2-sided tape

**PRODUCT DESCRIPTION**

A pipe support with "strut" used to support roof-mounted electrical conduit, solar piping, gas pipes and other mechanical piping. Pipes rest on a 24" length of strut which is mounted on the bases. The pipes can be fastened by using the appropriate pipe clamp.

**KEY INFORMATION**

- Designed to support conduit (ganged) cable trays or other mechanical piping.
- Adjustable from the factory set maximum height of 13-7/8" down to a minimum height of 4-1/8"
- Maximum load is 344 lbs. (3.0 psi) Make certain each support is properly elevated to evenly distribute weight at all support locations.
- Unit Weight: 7.05 lbs.
- Recommended spacing is not to exceed 8' centers depending upon the load.
- Base Material: Polycarbonate
- All metal parts are either stainless steel or hot-dip galvanized.

The information contained in this drawing is the sole property of MIRO Industries, Inc. Any reproduction in part or as a whole without written permission of MIRO Industries, Inc. is prohibited.

DATE:  
MAR 2022

24-BASE STRUT-14