

F



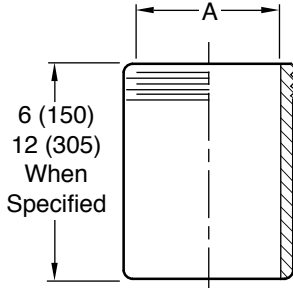
MEMBER OF:

LOCATION

# ADAPTORS AND REDUCERS

## CAULK REDUCERS - HUB AND SPIGOT AND ADAPTORS

**FUNCTION:** Fig. 2646 spigot adaptors convert threaded connections to spigot for caulking. Fig. 2646Y NO-HUB adaptors convert threaded connections to NO-HUB connections. Fig. 2648 spigot adaptor converts threaded connections to 90° spigot for caulking. Fig. 2651 is used with side outlet drains to reduce outlet one pipe size. Fig. 2652 is used to reduce threaded connection.



**Fig. 2646S**  
**STRAIGHT SPIGOT ADAPTOR**  
 Specify Size eg: 2646S04

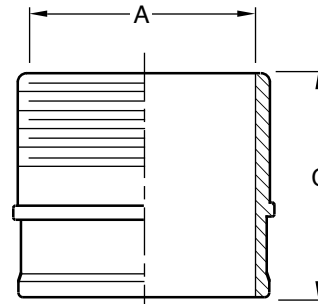
**Fig. 2646S-2**  
 Same as 2646S except 12"(305) long

**Fig. 2646Y-1**  
 Same as 2646S 6"(150) except spigot is sized for Service Weight and/or NO-HUB

**Fig. 2646Y-2**  
 Same as 2646S-2 12"(305) except spigot is sized for Service Weight and/or NO-HUB

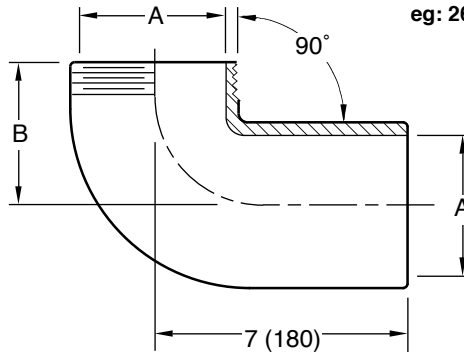
**Fig. 2648S**  
 90° SPIGOT ADAPTOR  
 Specify Size eg: 2648S04

**Fig. 2648Y**  
 Same as 2648S except spigot is sized for Service Weight and/or NO-HUB

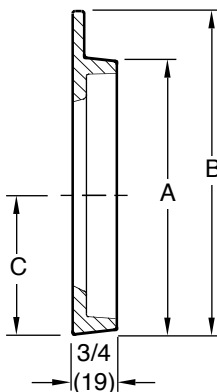


**Fig. 2646Y**  
**NO-HUB ADAPTOR**  
 eg: 2646Y02

A SIZE	C
02(50)	2 3/4(70)
03(80)	3(76)
04(100)	3(76)
05(125)	4(100)
06(150)	4(100)
08(200)	4 1/2(115)
10(255)	4 1/2(115)
12(305)	5 1/2(140)



A SIZE	B
02(50)	3(76)
03(80)	3 1/2(89)
04(100)	4(100)
05(125)	4 1/2(115)
06(150)	5(125)

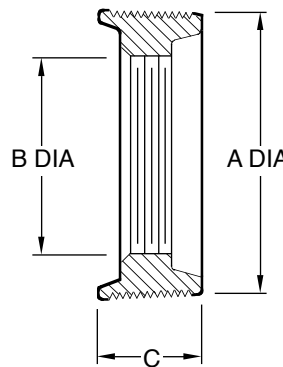


**Fig. 2651**  
**ECCENTRIC REDUCER**  
 eg: 2651-04 x 03

**REGULARLY FURNISHED:**  
 Duco Cast Iron.

PIPE SIZE	A DIA	B DIA	C
-03x02 (80) x (50)	3 (76)	4 (100)	1 1/2 (38)
-04x03 (100) x (80)	4 1/4 (110)	5 (125)	2 (51)
-05x04 (125) x (100)	5 1/4 (135)	6 (150)	2 3/4 (70)
-06x05 (150) x (125)	6 1/4 (160)	7 (180)	3 (76)

**NOTE:** Dimensions shown in parentheses are in millimeters.



**FIG. 2652**  
**FACE REDUCER BUSHING**  
 eg: 2652-02 x 0150

PIPE SIZE	A DIA	B DIA	C
-02x0150 (50) x (40)	2 (51)	1 1/2 (38)	3/4 (19)
-03x02 (80) x (50)	3 (76)	2 (51)	1 1/4 (32)
-04x02 (100) x (50)	4 (100)	2 (51)	1 5/16 (33)
-04x03 (100) x 80)	4 (100)	3 (76)	1 5/16 (33)
-05x04 (125) x (100)	5 (125)	4 (100)	1 5/16 (33)
-06x04 (150) x (100)	6 (150)	4 (100)	1 9/16 (40)

**OPTIONAL MATERIALS:**  
 Galvanized Cast Iron -G

DRAWING NUMBER  
**S2646**

SIZE  
**A**

SCALE:  
**NONE**

DATE:  
**5-17-85**

APPROVED BY:  
**TD**

CHECKED BY:  
**TD**

DRAWN BY:  
**PJ**

FIGURE NUMBER  
**2646, 2646Y, 2648  
 2651, 2652**

WE CAN ASSUME NO RESPONSIBILITY FOR USE OF SUPERSEDED OR VOID DATA  
 DIMENSIONS ARE SUBJECT TO MANUFACTURERS TOLERANCE AND CHANGE WITHOUT NOTICE

REV.	DATE	DESCRIPTION	BY	CKD. BY
F	5-19-08	Revised table	TBW	CL
D	6-7-96	Revised	EMB	BS
	6-3-96	Revised		

WEIGHT POUNDS	VOLUME CUBIC FEET

**FIGURE NUMBER**  
**2646, 2646Y, 2648**  
**2651, 2652**