

FIXTURE SUPPORTS

FIG. 0487, 0487Y, 0497, 0497Y SERIES VERTICAL CENTER LINE FITTINGS FOR BLOWOUT WATER CLOSETS

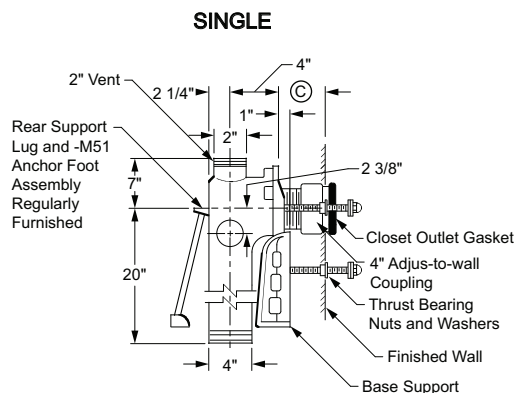


Fig. 0487Y
Side View

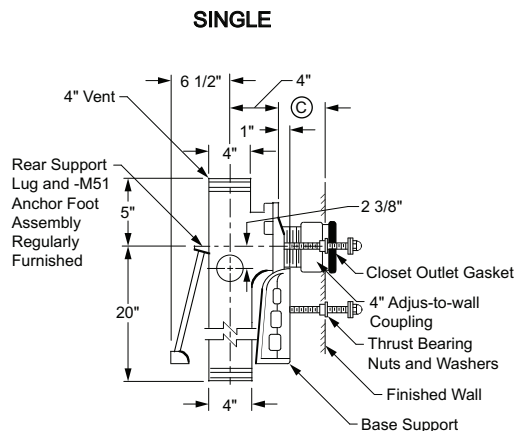


Fig. 0497Y
Side View

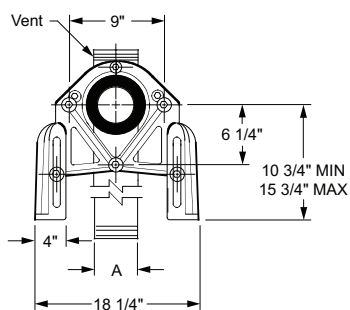


Fig. 0487Y, 0497Y
Front View

NOTE: Base support must be securely anchored to floor (with four 1/2" bolts provided by contractor).

NOTE: When used with concealed flush valve locate face plate behind supply pipe.

NOTE: © dimension = 4" (regularly furnished) consisting of nipple and Adjus-to-Wall coupling permitting adjustment from 3" min. to 4" max.

NOTE: Side inlet 1 1/2" or 2" N.P.T. or 2" caulk (specify type and size).

NOTE: When required a 2" NO-HUB Aux. Inlet adaptor is available. Specify Suffix -NY

The water closet gasket regularly furnished is made of molded neoprene and designed to fit water closet outlet dimensions and configurations shown in ANSI Standard A112.19.2M, Figure 13B. If gasket is not found to be compatible to fixture due to nonconformance of said fixture to ANSI A112.19.2M, then fixture manufacturer shall be consulted for a suitable gasket recommendation. Jay R. Smith assumes no liability for connections to fixtures which do not conform to these standards.

OUTLET TYPE	FIGURE NO.	TYPE OF FITTING	A SIZE †04"*	APPROX. WT. LBS.
CAULK	0487	Single-with 2" Vent-Long Barrel	1,427.00	58
	0497	Single-with 4" Vent-Long Barrel	1,427.00	61
NO-HUB	0487Y	Single-with 2" Vent-Long Barrel	1,427.00	58
	0497Y	Single-with 4" Vent-Long Barrel	1,427.00	61

*Add \$362.00 for each additional auxiliary tapping.

NOTE: Service weight regularly furnished on fittings above.
NOTE: Always specify fixture manufacturer's model name and number.