



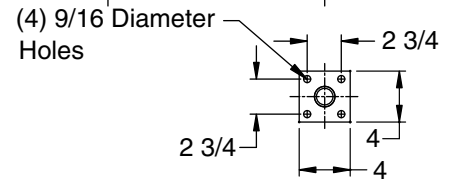
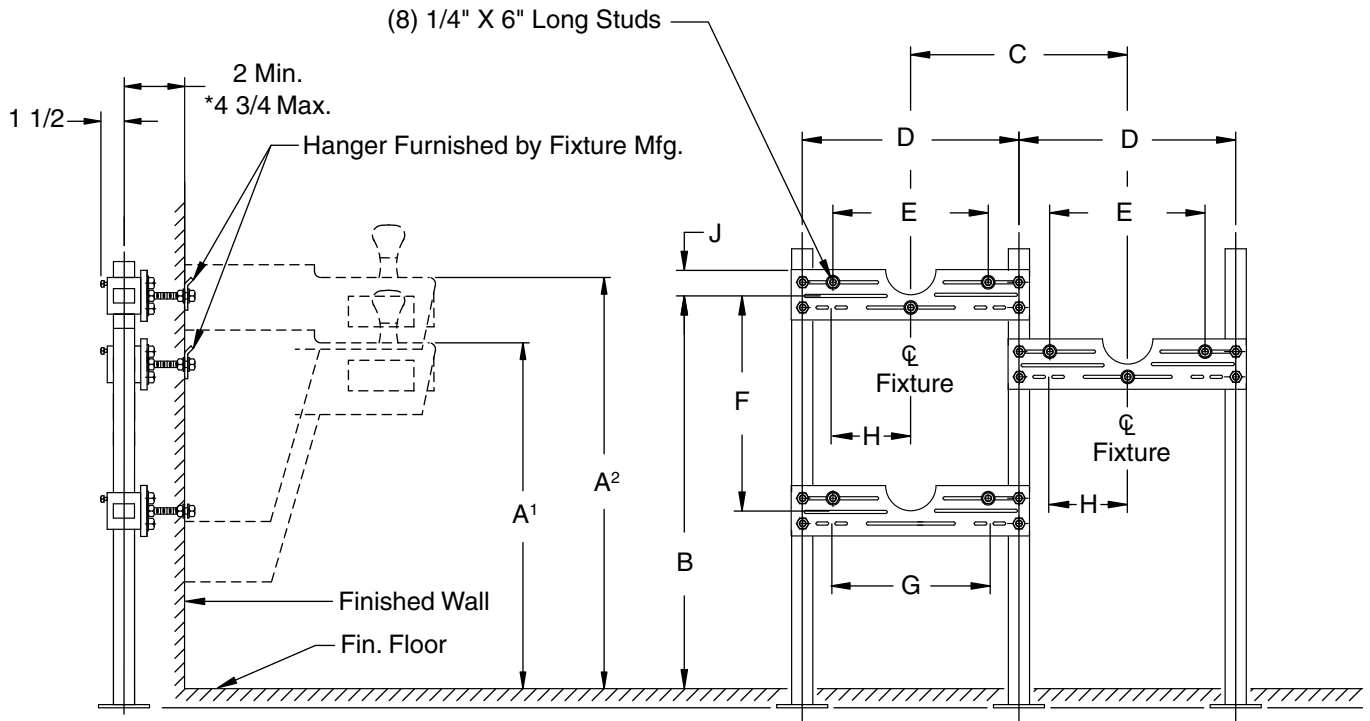
SMITH® JAY R. SMITH MFG. CO.®
 DIVISION OF SMITH INDUSTRIES, INC.
 POST OFFICE BOX 3237
 MONTGOMERY, ALABAMA 36109-0237 (USA)
 TEL: 334-277-8520 FAX: 334-272-7396 www.jrsmith.com



MEMBER OF:

LOCATION

FIXTURE SUPPORT FLOOR MOUNTED TYPE
 WITH SUPPORT PLATES AND FIXTURE MOUNTING STUDS
 FOR TWO WALL MOUNTED ELECTRICAL WATER COOLERS



BASE DETAIL

FIXTURE MANUFACTURER		NUMBER							
A ¹	A ²	B	C	D	E	F	G	H	J

NOTE: Uses 70085-86-6 Universal Support Plates - 3 required.

NOTE: *This dimension can be increased when fixture support is to be installed behind the wall. (Specify when required and wall thickness).

NOTE: The rough-in dimensions listed on this drawing are based on current information available to Jay R. Smith by the fixture manufacturers. We recommend that you verify these dimensions with the fixture manufacturer. We will not accept responsibility for rough-in dimension changes by the fixture manufacturer.

DRAWING NUMBER
S0834L

SIZE
A

SCALE:
NONE

DATE:
11-11-08

APPROVED BY:
AM

CHECKED BY:
AM

DRAWN BY:
RN

0834L

WE CAN ASSUME NO RESPONSIBILITY FOR USE OF SUPERSEDED OR VOID DATA

DIMENSIONS ARE SUBJECT TO MANUFACTURERS TOLERANCE AND CHANGE WITHOUT NOTICE

REV.	DATE	DESCRIPTION	BY	CKD. BY

WEIGHT POUNDS
VOLUME CUBIC FEET

FIGURE NUMBER

0834L



SMITH® JAY R. SMITH MFG. CO.®
 DIVISION OF SMITH INDUSTRIES, INC.
 POST OFFICE BOX 3237
 MONTGOMERY, ALABAMA 36109-0237 (USA)
 TEL: 334-277-8520 FAX: 334-272-7396 www.jrsmith.com

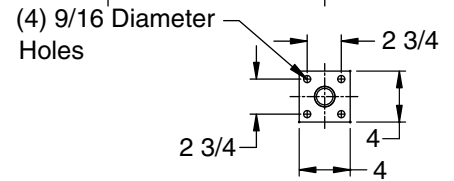
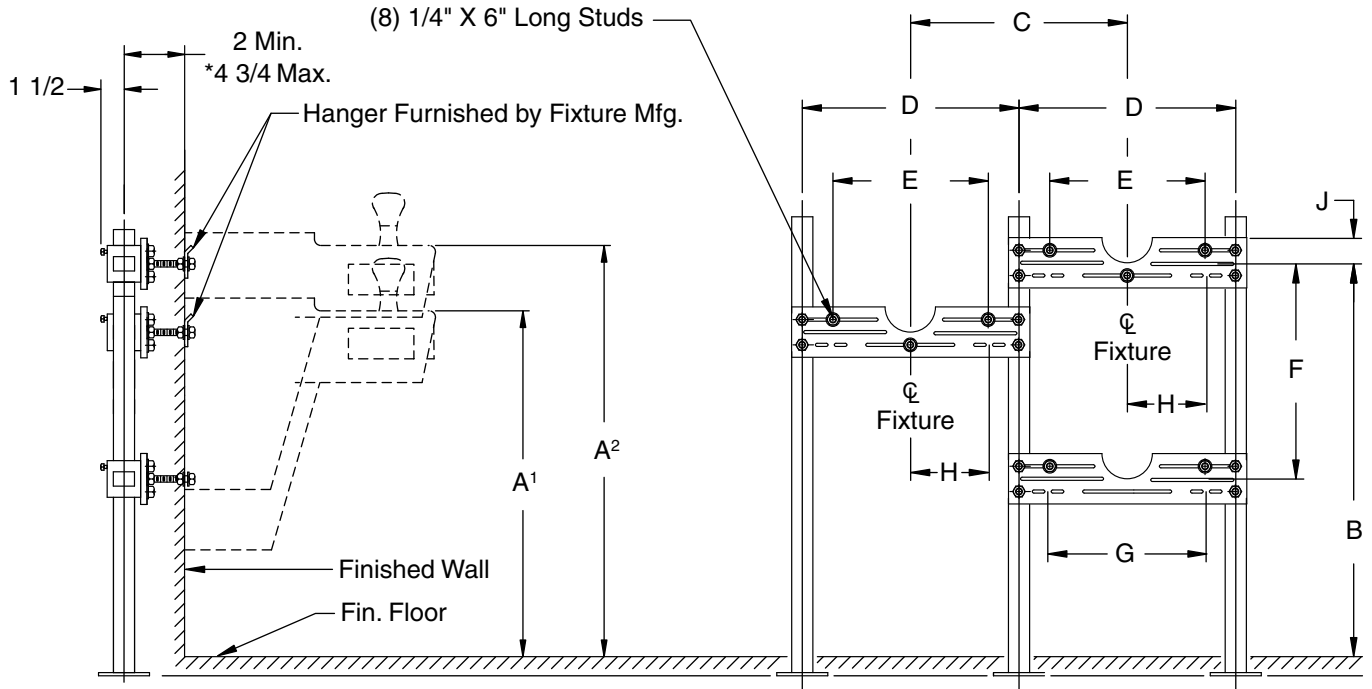


MEMBER OF:



LOCATION

FIXTURE SUPPORT FLOOR MOUNTED TYPE
 WITH SUPPORT PLATES AND FIXTURE MOUNTING STUDS
 FOR TWO WALL MOUNTED ELECTRICAL WATER COOLERS



BASE DETAIL

FIXTURE MANUFACTURER		NUMBER							
A ¹	A ²	B	C	D	E	F	G	H	J

NOTE: Uses 70085-86-6 Universal Support Plates - 3 required.

NOTE: *This dimension can be increased when fixture support is to be installed behind the wall. (Specify when required and wall thickness).

NOTE: The rough-in dimensions listed on this drawing are based on current information available to Jay R. Smith by the fixture manufacturers. We recommend that you verify these dimensions with the fixture manufacturer. We will not accept responsibility for rough-in dimension changes by the fixture manufacturer.

DRAWING NUMBER
S0834R

SIZE
A

SCALE:
NONE

DATE:
11-11-08

APPROVED BY:
AM

CHECKED BY:
AM

DRAWN BY:
RN

0834R

WE CAN ASSUME NO RESPONSIBILITY FOR USE OF SUPERSEDED OR VOID DATA

DIMENSIONS ARE SUBJECT TO MANUFACTURERS TOLERANCE AND CHANGE WITHOUT NOTICE

REV.	DATE	DESCRIPTION	BY	CKD. BY

WEIGHT POUNDS	VOLUME CUBIC FEET

FIGURE NUMBER
0834R