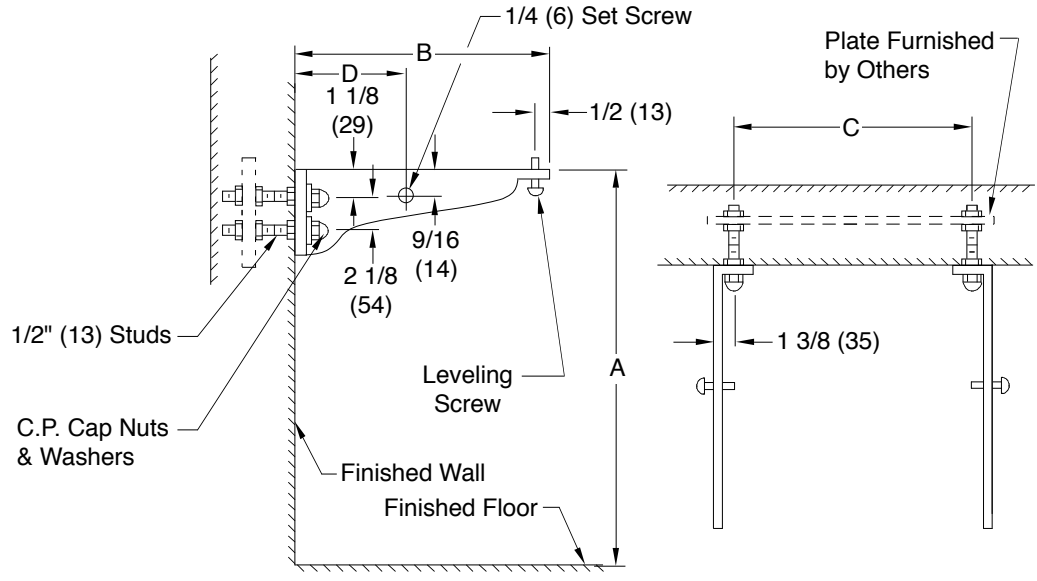


<b>B</b>	<b>JAY R. SMITH MFG. CO.®</b> <small>MEMBER OF MORRIS GROUP INTERNATIONAL          POST OFFICE BOX 3237          MONTGOMERY, ALABAMA 36109-0237 (USA)          TEL: 334-277-8520 FAX: 334-272-7396 www.jrsmith.com</small>	 <small>MEMBER OF:</small>	 <small>MEMBER OF:</small>	 <small>MEMBER OF:</small>	<b>LOCATION</b>
----------	---	-------------------------------	-------------------------------	-------------------------------	-----------------

## LAVATORY SUPPORTS WITH EXPOSED ARMS

### WALL MOUNTED WITH ACID RESISTANT COATED EXPOSED ARMS



**Fig. 0792 . . . WITH OFFSET ARMS FOR HIGH BACK ENAMELED IRON LAVATORIES TO ATTACH TO BACKING PLATE SECURED IN WALL**

#### ROUGHING-IN TABLE

FIXTURE NAME	NUMBER	SIZE	A	B	C	D

**NOTE:** The rough-in dimensions listed on this drawing are based on current information available to Jay R. Smith by the fixture manufacturers. We recommend that you verify these dimensions with the fixture manufacturer. We will not accept responsibility for rough-in dimension changes by the fixture manufacturer.

**NOTE:** Dimensions shown in parentheses are in millimeters.

DRAWING NUMBER: **S0792 (B)**  
 SIZE: **A**  
 SCALE: **NONE**  
 DATE: **10-30-63**  
 APPROVED BY:  
 CHECKED BY: **RP**  
 DRAWN BY: **SL**  
**0792**  
 DIMENSIONS ARE SUBJECT TO MANUFACTURERS TOLERANCE AND CHANGE WITHOUT NOTICE

<b>B</b>	4-2-97	Added Millimeters Submittal Update	EMB	BS	WEIGHT POUNDS	VOLUME CUBIC FEET	<b>FIGURE NUMBER</b>
A	8-16-93		EMB	BS			<b>0792</b>
REV.	DATE	DESCRIPTION	BY	CKD. BY			