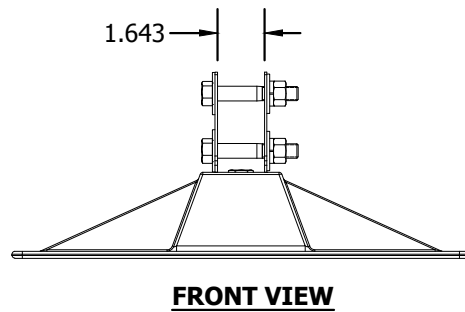
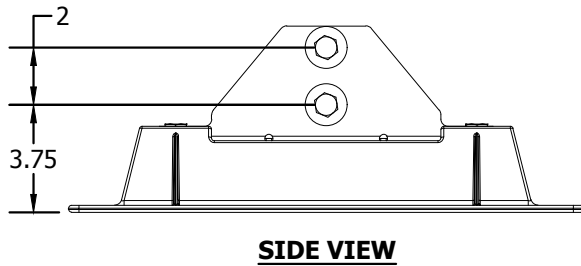
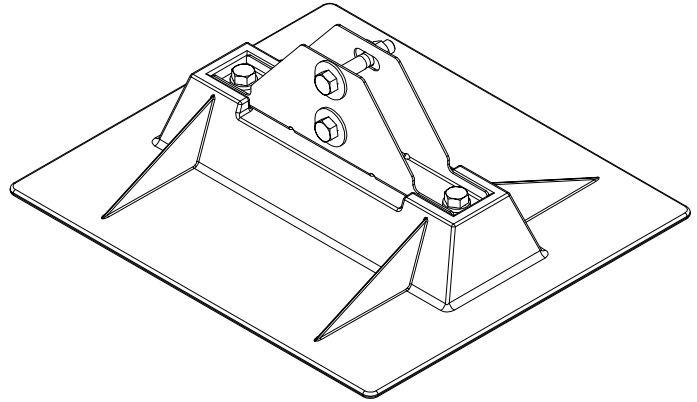
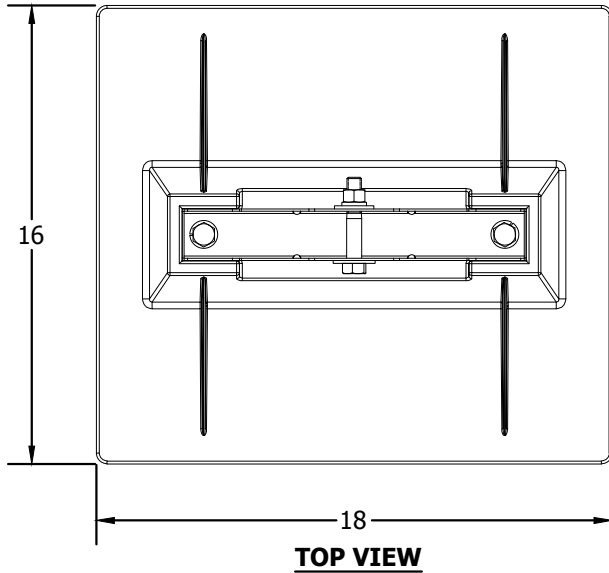


ROOFTOP SLEEPER SUPPORT



PRODUCT DESCRIPTION

16" x 18" POLYCARBONATE BASE WITH A MOUNTING BRACKET THAT WILL ACCOMMODATE 1-5/8"x1-5/8" STRUT. THE MOUNTING BRACKET IS SLOTTED TO ALLOW THE BASE TO ACCOMMODATE UP TO A 2:12 SLOPE.

NOTE:

BASE ONLY SALES ARE FINAL AND **DO NOT** INCLUDE ANY WARRANTY.

KEY INFORMATION

- Base Material: POLYCARBONATE
- All metal parts are hot-dip galvanized
- Max load not to exceed 300 lbs.
- For rooftop applications it is recommended to use a traffic pad or other sacrificial material between the base and the finished roof surface.
- Suggested rooftop loading is not to exceed 2.0 psi from the base to the roof membrane.