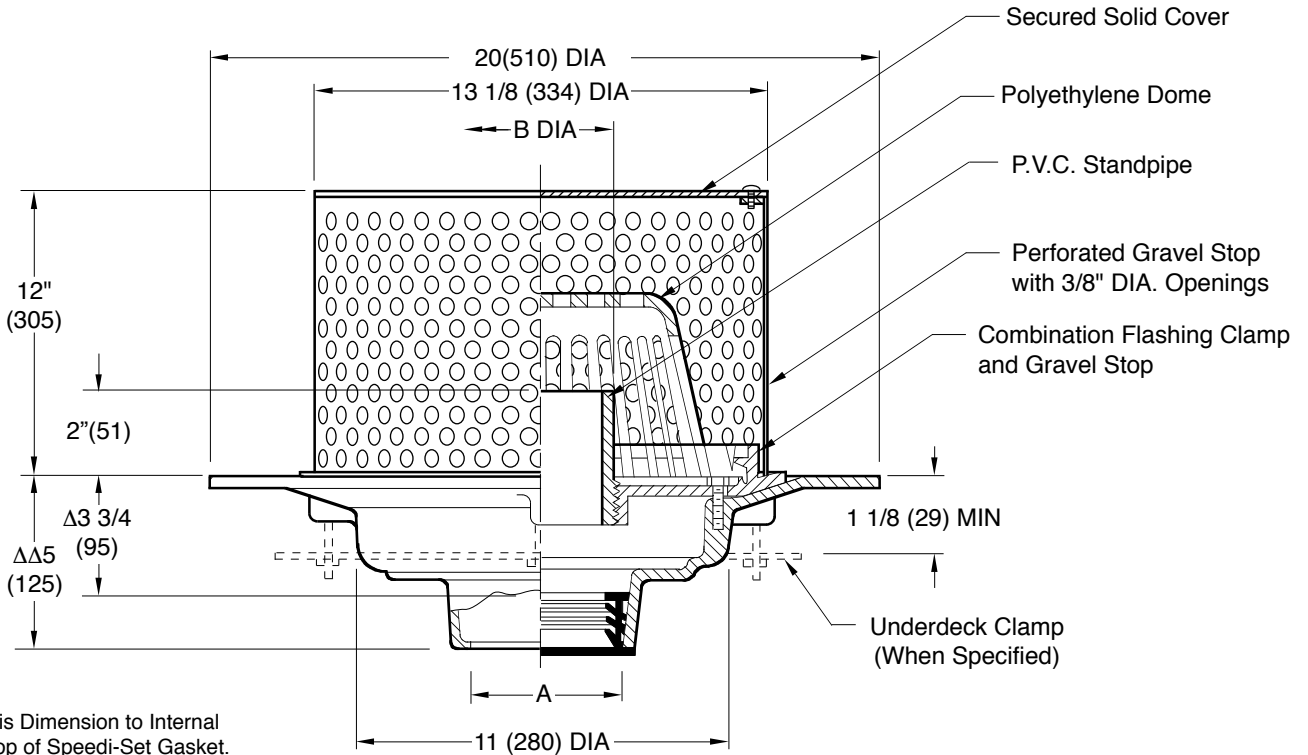


GREEN ROOF PLANTER DRAIN BASIN



Δ This Dimension to Internal Stop of Speedi-Set Gasket.
 ΔΔ Same for Caulk, NO-HUB and Speedi-Set. 3 3/4 (95) for Threaded.

A(Pipe Size)	02(50)	03(75)	04(100)	05(125)	06(150)
B (DIA)	4(100)	4(100)	4(100)	6(150)	6(150)

- Fig. 1935C CAULK OUTLET
- Fig. 1935Y NO-HUB OUTLET

REGULARLY FURNISHED:
 Duco Cast Iron Wide Flange Body, Flashing Clamp and Stainless Steel Perforated Gravel Stop with 3/8" DIA. Openings, and Secured Solid Cover, P.V.C. Standpipe and Polyethylene Dome.

- VARIATIONS:**
- Adjustable Extension -AE
 - Expansion Joint (Specify Fig. 1710)
 - Extension (Specify Height) -E
 - "L" Shaped Underdeck Clamp -CL
 - L Speedi-Set Service Weight
02(50), 03(75) & 04(100) sizes only
 - LXH Speedi-Set Extra Heavy
02(50), 03(75) & 04(100) sizes only
 - Underdeck Clamp -C
 - Vandal Proof Gravel Stop -U
 - T Threaded Outlet

- OPTIONAL MATERIALS:**
- Bronze Standpipe -BZS
 - Cast Iron Standpipe -CIS
 - Galvanized Cast Iron Body and Collar -G

NOTE: Dimensions shown in parentheses are in millimeters.

DRAWING NUMBER: s1935
 SIZE: A
 SCALE: NONE
 DATE: 2-3-2010
 APPROVED BY: TWK
 CHECKED BY: TK
 DRAWN BY: RN
 FIGURE NUMBER: 1935
 DIMENSIONS ARE SUBJECT TO MANUFACTURERS TOLERANCE AND CHANGE WITHOUT NOTICE
 WE CAN ASSUME NO RESPONSIBILITY FOR USE OF SUPERSEDED OR VOID DATA

REV.	DATE	DESCRIPTION	BY	CKD. BY	WEIGHT POUNDS	VOLUME CUBIC FEET	FIGURE NUMBER
B A	10-20-11 3-30-10	Revised Variations Revised Title	TBW TBW	CL TWK			1935



LOCATION

DRAWING NUMBER
s1935 BS

SIZE
A

SCALE:
NONE

DATE:
2-3-2010

APPROVED BY:
TWK

CHECKED BY:
TK

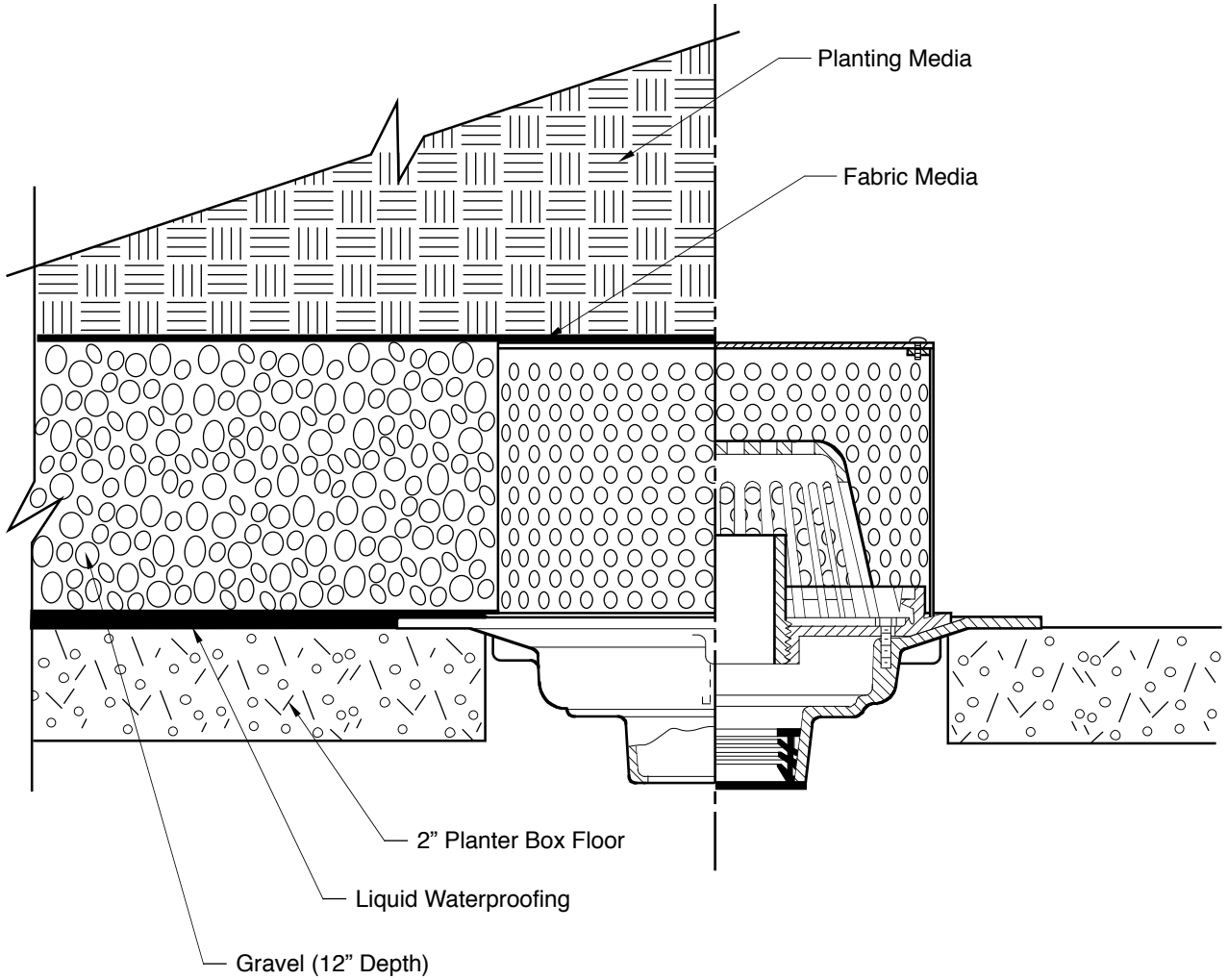
DRAWN BY:
RN

1935 BS

FIGURE NUMBER

WE CAN ASSUME NO RESPONSIBILITY FOR USE OF SUPERSEDED OR VOID DATA

DIMENSIONS ARE SUBJECT TO MANUFACTURERS TOLERANCE AND CHANGE WITHOUT NOTICE



INSTALLATION DETAIL

NO SCALE

REV.	DATE	DESCRIPTION	BY	CKD. BY

WEIGHT POUNDS	VOLUME CUBIC FEET

FIGURE NUMBER 1935 BS



WARNING: Cancer and Reproductive Harm - www.P65Warnings.ca.gov