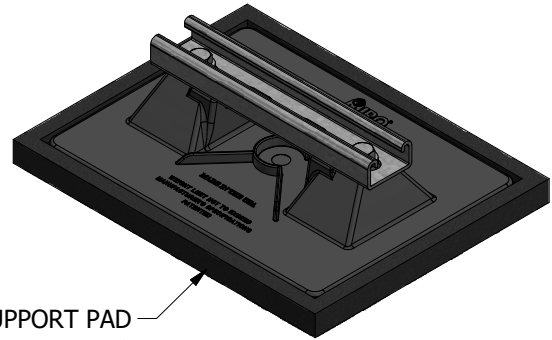
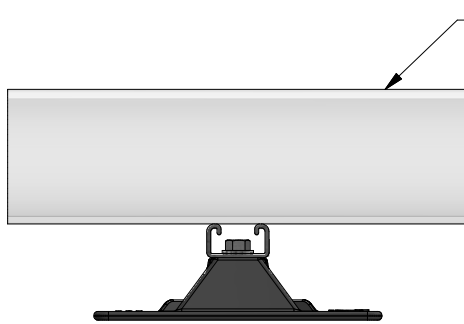


TOP VIEW

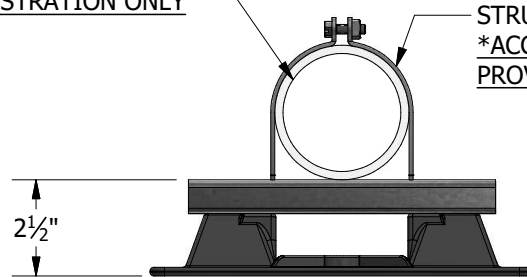


ISOMETRIC VIEW



SIDE VIEW

PIPE/CONDUIT FOR ILLUSTRATION ONLY



END VIEW

STRUT CLAMP
ACCESSORY ITEM OR PROVIDED BY OTHERS

ACCESSORIES

- Strut Clamp - Order to Pipe O.D.
- 7 1/2" x 10" Support pad
- Eternabond® 2-sided tape

PRODUCT DESCRIPTION

A pipe support with "strut" used to support roof-mounted electrical conduit, solar piping, gas pipes and other mechanical piping. Pipes rest on a 8" length of strut which is mounted on the base. The pipes can be fastened by using the appropriate pipe clamp.

KEY INFORMATION

- Designed to support conduit (ganged) cable trays or other mechanical piping.
- Fixed height of 2 1/2", even load required, maximum load is 172 lbs. (Max load based on 3.0 psi to the roof deck)
- Unit weight: 1.78 lbs.
- 12 per case, 21 lbs. per case, (DW= 11 lbs.)
- Recommended spacing is not to exceed 10' centers depending upon the load. Make certain each support is properly elevated to evenly distribute weight at all support locations.
- Base Material: Polycarbonate
- All metal parts are either stainless steel or hot-dip galvanized.