

H

SMITH® JAY R. SMITH MFG. CO.®
 MEMBER OF MORRIS GROUP INTERNATIONAL
 POST OFFICE BOX 3237
 MONTGOMERY, ALABAMA 36109-0237 (USA)
 TEL: 334-277-8520 FAX: 334-272-7396 www.jrsmith.com



LOCATION

DRAWING NUMBER
S1085

SIZE
A

SCALE:
NONE

DATE:
5-24-85

APPROVED BY:
TD

CHECKED BY:
TD

DRAWN BY:
PJ

1085, 1089

FIGURE NUMBER

LARGE SPECIAL PURPOSE ROOF DRAINS

RAINTROL® ROOF DRAIN SLOPED ROOF DESIGN

FUNCTION: Used to control the flow of rain water off a roof. Trapezoidal weirs limit the flow to the leaders. Adjustable to provide various flow rates as required.

Free Area
122 SQ IN
(787) SQ CM

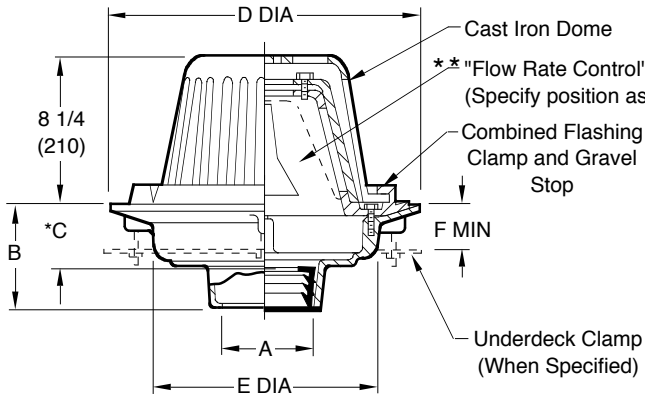


Fig. 1085CCAULK OUTLET
Fig. 1085Y.....NO-HUB OUTLET

*This Dimension to Internal Stop of Speedi-Set Gasket.

NOTE: Please call our main office or your local Representative if more information on selection, sizing and placement of our "Raintrol" roof drains is required.

recommended deck opening

outlet size	with suffix-R	less suffix-R
02(50),03(75),04(100)	17(430)	14(355)
05(125),06(150)	DIA	DIA

A SIZE	B (BOTTOM OUTLET)						SIDE OUTLET		
	CAULK, NO-HUB, & SPEEDI-SET	THREADED	C	D DIA	E DIA	F MIN	G	H	J
02(50),03(75),04(100)	5(125)	3 3/4(95)	3 3/4(95)	15 1/4 (390)	11(280)	1 1/8(29)	4 3/4(120)	6(150)	7 3/4(195)
05(125),06(150)	5(125)	3 3/4(95)	3 3/4(95)	15 1/4(390)	11(280)	1 1/8(29)	6 1/4(160)	6 7/8(175)	7 3/4(195)

REGULARLY FURNISHED:

Duco Cast Iron Body with Combined Flashing Clamp and Gravel Stop with Adjustable "Flow Rate Control" Assembly and Cast Iron Dome.

VARIATIONS:

- Expansion Joint (Specify Fig. 1710) (Fig. 1085 only)
- Extension -E (Specify Height)
- "L" Shaped Underdeck Clamp -CL
- L Speedi-Set Service Weight
- LXH Speedi-Set Extra Heavy
- NO-HUB Adaptor (Specify Fig. 2646Y) (Fig. 1088 only)
- Secondary Flashing Clamp -C2
- Sump Receiver -R
- Underdeck Clamp -C
- Vandal Proof Dome -U
- T Threaded Outlet

NOTE: Dimensions shown in parentheses are in millimeters.

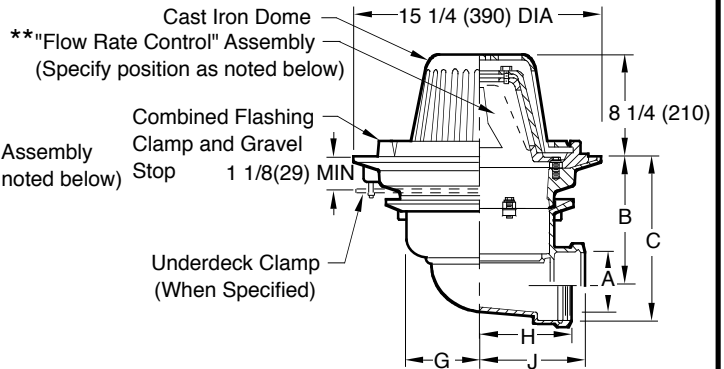


Fig. 1089C02(50), 03(75) & 04"(100) CAULK OUTLET
Fig. 1089T.....02(50), 03(75) & 04"(100) THREADED OUTLET

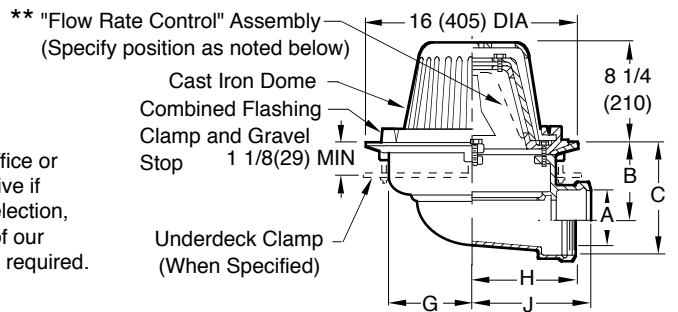


Fig. 1089C05(125) & 06"(150) CAULK OUTLET
Fig. 1089T.....05(125) & 06"(150) THREADED OUTLET

(SIDE OUTLET)

A SIZE	02(50)	03(75)	04(100)	05(125)	06(150)
B	6 7/8 (175)	6 3/8 (162)	5 7/8 (149)	5 (125)	4 1/2 (115)
C	8 5/8 (219)	8 3/4 (220)	8 3/4 (220)	8 1/2 (215)	8 1/2 (215)

OPTIONAL MATERIALS:

- Aluminum Dome -AD
- Galvanized Cast Iron Body & Collar -G
- Galvanized Cast Iron Dome -CIDG
- Rough Bronze Dome -RBD

ALWAYS SPECIFY NUMBER OF WEIR OPENINGS

(-WR1)	(-WR2)	(-WR3)	(-WR4)
--------	--------	--------	--------

**NOTE:

- (-WR1) 1 WEIR OPENING
- (-WR2) 2 WEIR OPENING
- (-WR3) 3 WEIR OPENING
- (-WR4) 4 WEIR OPENING

H	4-15-16	Revised Variations	TBW	CL	WEIGHT POUNDS	VOLUME CUBIC FEET	FIGURE NUMBER 1085, 1089
G	5-26-99	Rev. Opt. Mat.	CMD	BS			
F	1-29-96	Added Millimeters	EMB	BS			
E	7-11-94	Revised	EMB	BS			
REV.	DATE	DESCRIPTION	BY	CKD. BY			