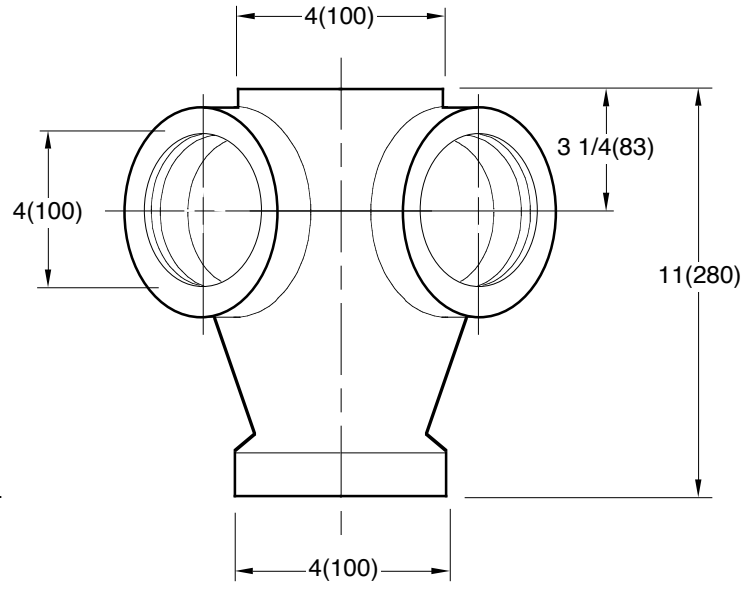
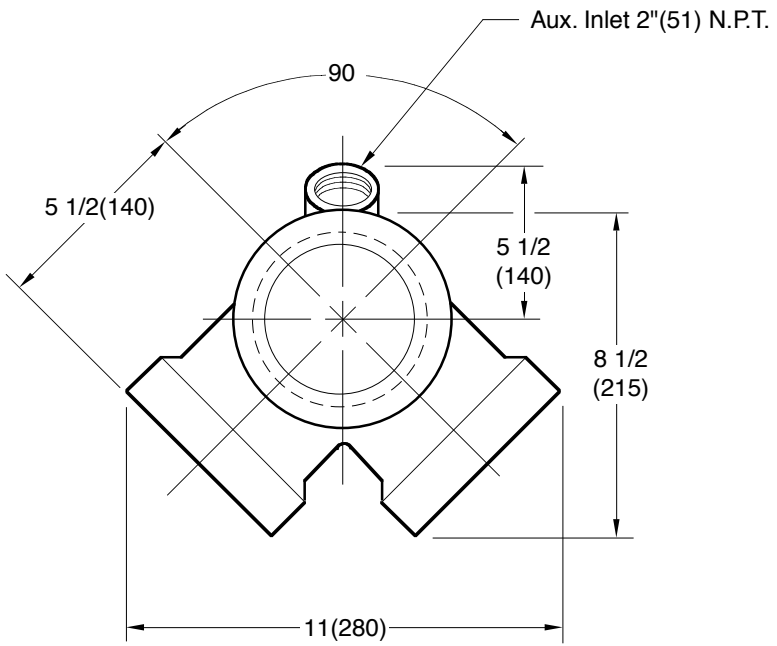


# INLET VERTICAL STACK FITTINGS

DRAWING NUMBER **S0660**  
 SIZE **A**  
 SCALE: **NONE**  
 DATE: **7-17-57**  
 APPROVED BY:  
 CHECKED BY:  
 DRAWN BY: **LASKOW**  
**0660, 0661**  
 FIGURE NUMBER

WE CAN ASSUME NO RESPONSIBILITY FOR USE OF SUPERSEDED OR VOID DATA  
 DIMENSIONS ARE SUBJECT TO MANUFACTURERS TOLERANCE AND CHANGE WITHOUT NOTICE



**NOTE:** Dimensions shown in parentheses are in millimeters.

Fig. 0660 . . . . . LESS 2"(51) LAVATORY CONNECTION  
 Fig. 0661 . . . . . WITH 2"(51) LAVATORY CONNECTION

F E	3-6-97 7-29-93	Added Millimeters Submittal Update	EMB EMB	BS BS	WEIGHT POUNDS	VOLUME CUBIC FEET	FIGURE NUMBER <b>0660, 0661</b>
REV.	DATE	DESCRIPTION	BY	CKD. BY			