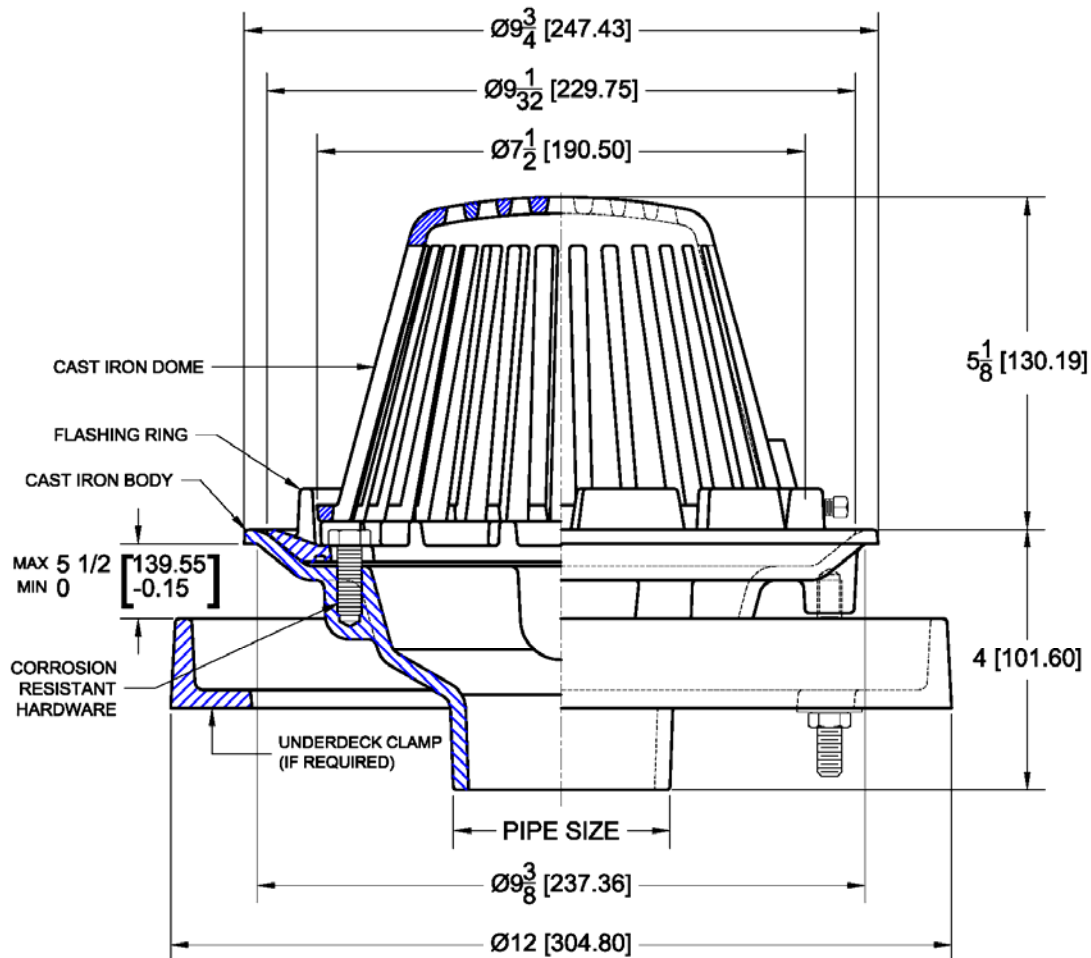


3012 Primary Roof Drain (Replaces 3200)

Regularly Furnished: Painted cast iron primary roof drain with flange, combination membrane flashing clamp / gravel guard, medium sump body, mushroom dome and bottom outlet.



Top Material		
✓	Suffix	Description
	-3	Bronze Dome
	-32	Polypropylene Dome
	-42	Cast Iron Dome
	-46	Aluminum Dome

Outlet Variations		
✓	Type	Designation
	No-Hub	2NH, 3NH, 4NH, 6NH
	Push On	2TY, 3TY, 4TY
	Inside Caulk	2IC, 3IC, 4IC
	Threaded	2IPS, 3IPS, 4IPS

Extensions		
✓	Suffix	Description
	-DF	Fixed Extension (2")
	-EB	Adjustable Drain Extension Flange

Options		
✓	Suffix	Description
	-ARC	Acid Resistant Coating (C.I. Parts)
	-D	2" High Overflow Dam
	-DFS	Perforated Stainless Steel Extension
	-DP	Perforated Stainless Steel Gravel Stop
	-SO	90 Deg. Side Outlet - IPS
	-SD	Adjustable Internal Overflow Standpipe
	-VP	Vandal Proof Secured Grate
	-39	Galvanized Iron Parts
	-49	Bronze Mesh Lining on Dome
	-50	Stainless Steel Mesh Lining on Dome
	-52	Bearing Pan (Sump Receiver)
	-53	Under Deck Clamp
	-189	Bearing Pan w/ Securing Package