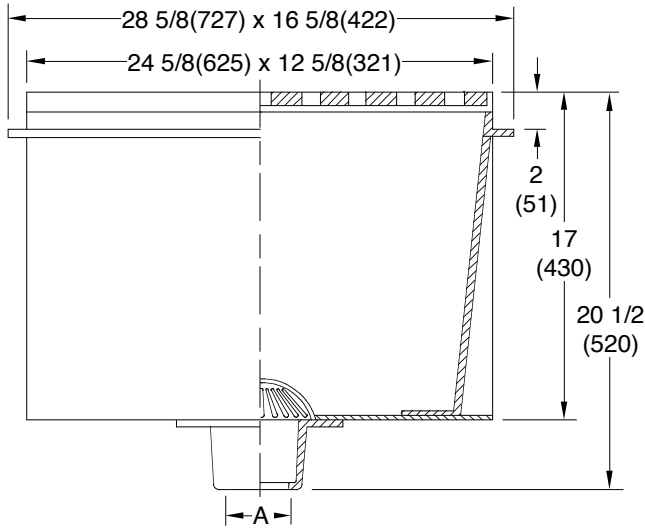


# SANI-CEPTOR® ACID RESISTANT COATED FLOOR & INDIRECT WASTE DRAINS

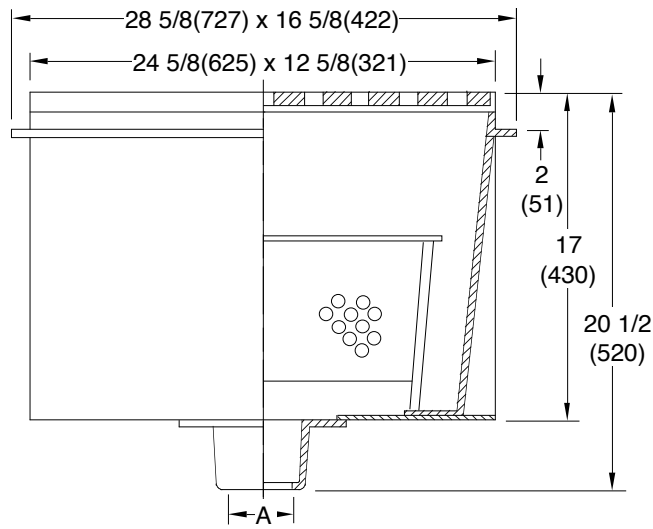
## RECTANGULAR A.R. COATED NON-TRAFFIC TOP 24 (610) x 12 (305) TOP-EXTRA LARGE DEEP RECEPTORS

**FUNCTION:** Used in kitchens, hospitals, food markets, restaurants, schools and all types of food handling areas not subject to foot or other traffic where the ultimate in sanitation is desirable and a large capacity receptor is required. Rectangular top is ideal for use under counters and along walls.

Free Area  
125 SQ IN  
(807) SQ CM

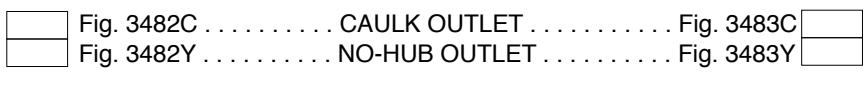


WITH DOME BOTTOM STRAINER



WITH SEDIMENT BUCKET

A (Pipe Size) = 02(50), 03(75), 04(100), 05(125) or 06(150)



**REGULARLY FURNISHED:**  
 Fabricated Steel Flanged Receptor with Acid Resistant Coated Interior with Loose Set Acid Resistant Coated Grates, Aluminum Dome Bottom Strainer or Stainless Steel Sediment Bucket as Indicated By Figure Number.

- VARIATIONS:**
- Flashing Clamp -C
  - Acid Resistant Coated Flat Bottom Strainer -FBS
  - Acid Resistant Coated 1/2 Grate (Suffix -12)

- OPTIONAL MATERIALS:**
- All Galvanized -G
  - All Duco Coated Receptor -CI

**NOTE:** This grate is not recommended for any type of traffic including pedestrian traffic.  
**NOTE:** Dimensions shown in parentheses are in millimeters.

DRAWING NUMBER S3482  
 SIZE A  
 SCALE: NONE  
 DATE: 5-15-89  
 APPROVED BY: SJM  
 CHECKED BY: SB  
 DRAWN BY: EMB  
**3482, 3483**  
 DIMENSIONS ARE SUBJECT TO MANUFACTURERS TOLERANCE AND CHANGE WITHOUT NOTICE

WE CAN ASSUME NO RESPONSIBILITY FOR USE OF SUPERSEDED OR VOID DATA

L	01/20/11	Updated Logo	JJ	TW	WEIGHT POUNDS	VOLUME CUBIC FEET	FIGURE NUMBER
K	2-21-08	Revised Opt. Materials	RN	CL			<b>3482, 3483</b>
REV.	DATE	DESCRIPTION	BY	CKD. BY			