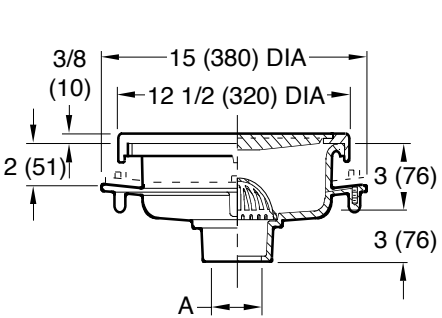


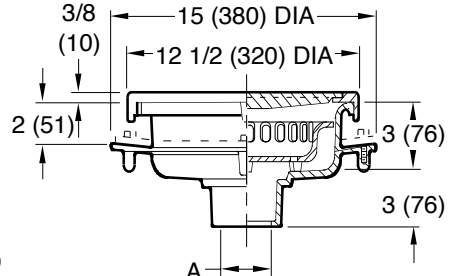
# SANI-CEPTOR® ACID RESISTANT COATED FLOOR & INDIRECT WASTE DRAINS

## ROUND NICKEL BRONZE TOP 12 1/2" (320) TOP - SHALLOW RECEPTORS

**FUNCTION:** Used in kitchens, hospitals, food markets, restaurants, schools and all types of food handling areas where the ultimate in sanitation is desirable and a medium capacity receptor is required.



Free Area  
30 SQ IN  
(194) SQ CM



**WITH DOME BOTTOM STRAINER**

A (Pipe Size) = 02(50), 03(80) or 04(100)

**WITH SEDIMENT BUCKET**



**NOTE:** When NO-HUB outlet is specified a caulk outlet w/9502 Speedi-Seal gasket will be supplied.

### FEATURES, OPTIONS & ORDERING INFORMATION

**REGULARLY FURNISHED:** Cast Iron Flanged Receptor with Seepage Holes, Acid Resistant Coated Interior, Nickel Bronze Rim and Secured Grate. Aluminum Dome Bottom Strainer or Sediment Bucket as Indicated by Figure Number.

- VARIATIONS:**
- Aluminum Flat Bottom Strainer -FBS
  - Flashing Clamp -C
  - Polished Aluminum Dome Bottom Strainer -PDBS
  - Vandal Proof Screws -U

- OPTIONAL MATERIALS:**
- All Duco Cast Iron Receptor -CI
  - All Galvanized Receptor -G

**NOTE:** Dimensions shown in parentheses are in millimeters.

SUFFIX NUMBER	DESCRIPTION
<b>ROUND RIM</b>	
<input type="checkbox"/> -10	Less NB Rim and Grate
<input type="checkbox"/> -11	Less Grate w/NB Rim
<input type="checkbox"/> -12	With NB Rim and 1/2 Grate
<input type="checkbox"/> -13	With NB Rim and 3/4 Grate
<input type="checkbox"/> -14	With NB Rim and Grate with 2 1/2"(64) SQ Center Hole
<input type="checkbox"/> -15	With NB Rim and Aluminum Recessed Grate
<input type="checkbox"/> -19	With NB Rim and Hinged Grate
<input type="checkbox"/> -21	With NB Rim and Grate with 4" (100) DIA NB Funnel
<input type="checkbox"/> -22	With NB Rim and Grate with 6" (150) DIA NB Funnel
<input type="checkbox"/> -25	With NB Rim and Grate with 8 1/4 (210) x 3 1/4 (83) x 4 1/2" (115) High Oval NB Funnel
<input type="checkbox"/> -26	With NB Rim and Grate with 6 (150) x 2 1/2 (64) x 1" (25) High Oval NB Funnel
<input type="checkbox"/> -41	With NB Rim and Solid Cover
<input type="checkbox"/> -42	With NB Rim and 1/2 Solid Cover
<input type="checkbox"/> -43	With NB Rim and 3/4 Solid Cover
<input type="checkbox"/> -44	With NB Rim and Solid Cover with 2 1/2" (64) DIA Center Hole

DRAWING NUMBER: S3030  
 SIZE: A  
 SCALE: NONE  
 DATE: 9-19-85  
 APPROVED BY: SJM  
 CHECKED BY: JD  
 DRAWN BY: PJ  
**3030, 3031**  
 DIMENSIONS ARE SUBJECT TO MANUFACTURERS TOLERANCE AND CHANGE WITHOUT NOTICE

<b>H G F E</b>	3-22-19 6-6-12 01/20/11 4-8-96	Revised Variations Added Note Updated Logo Rev Rim Description	MW TBW JJ EMB	CL CL TW BS	WEIGHT POUNDS	VOLUME CUBIC FEET	<b>FIGURE NUMBER</b> <span style="font-size: 2em;"><b>3030, 3031</b></span>
REV.	DATE	DESCRIPTION	BY	CKD. BY			