

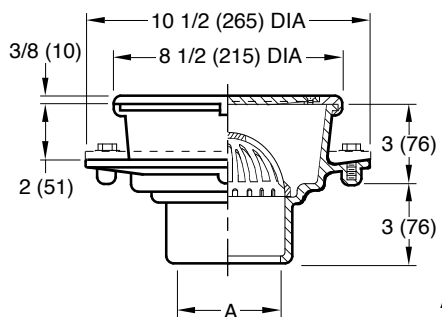
## SANI-CEPTOR® ACID RESISTANT COATED FLOOR & INDIRECT WASTE DRAINS

### ROUND NICKEL BRONZE TOP

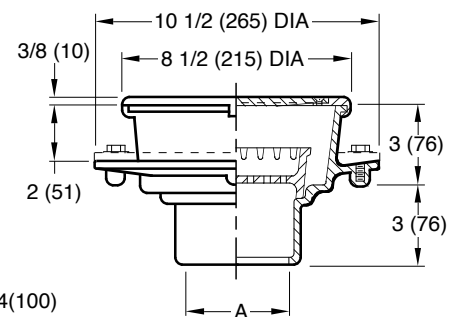
### 8 1/2" (215) TOP - SHALLOW RECEPTORS

**FUNCTION:** Used in kitchens, hospitals, food markets, restaurants, schools and all types of food handling areas where the ultimate in sanitation is desirable and a small capacity receptor is required.

Free Area  
17.35 SQ IN  
(112) SQ CM



**WITH DOME BOTTOM STRAINER**



**WITH SEDIMENT BUCKET**

A (Pipe Size) = 02(50), 03(80) or 04(100)

Fig. 3020C ..... CAULK OUTLET .....  Fig. 3021C  
 Fig. 3020Y ..... NO-HUB OUTLET .....  Fig. 3021Y

### FEATURES, OPTIONS & ORDERING INFORMATION

**REGULARLY FURNISHED:** Cast Iron Flanged Receptor with Seepage Holes, Acid Resistant Coated Interior, Nickel Bronze Rim and Secured Grate. Aluminum Dome Bottom Strainer or Sediment Bucket as Indicated by Figure Number.

**VARIATIONS:**

- Aluminum Flat Bottom Strainer -FBS
- Flashing Clamp -C
- Polished Aluminum Dome Bottom Strainer-PDBS
- Vandal Proof Screws -U
- L Speedi-Set Service Weight
- LXH Speedi-Set Extra Heavy

**OPTIONAL MATERIALS:**

- All Duco Cast Iron Receptor -CI
- All Galvanized Receptor -G

**SUFFIX NUMBER**

ROUND RIM	SUFFIX NUMBER	DESCRIPTION
<input type="checkbox"/>	-10	Less NB Rim and Grate
<input type="checkbox"/>	-11	Less Grate w/NB Rim
<input type="checkbox"/>	-12	With NB Rim and 1/2 Grate
<input type="checkbox"/>	-13	With NB Rim and 3/4 Grate
<input type="checkbox"/>	-14	With NB Rim and Grate with 2 1/2"(64) SQ Center Hole
<input type="checkbox"/>	-15	With NB Rim and Aluminum Recessed Grate
<input type="checkbox"/>	-19	With NB Rim and Hinged Grate
<input type="checkbox"/>	-21	With NB Rim and Grate with 4"(100) DIA NB Funnel
<input type="checkbox"/>	-22	With NB Rim and Grate with 6"(150) DIA NB Funnel
<input type="checkbox"/>	-25	With NB Rim and Grate with 8 1/4(210) x 3 1/4(83) x 4 1/2"(115) High Oval NB Funnel
<input type="checkbox"/>	-26	With NB Rim and Grate with 6(150) x 2 1/2(64) x 1"(25) High Oval NB Funnel
<input type="checkbox"/>	-41	With NB Rim and Solid Cover
<input type="checkbox"/>	-42	With NB Rim and 1/2 Solid Cover
<input type="checkbox"/>	-43	With NB Rim and 3/4 Solid Cover
<input type="checkbox"/>	-44	With NB Rim and Solid Cover with 2 1/2"(64) DIA Center Hole

**NOTE:** Dimensions shown in parentheses are in millimeters.

DRAWING NUMBER: S3020  
 SIZE: A  
 SCALE: NONE  
 DATE: 9-19-85  
 APPROVED BY: SJM  
 CHECKED BY: JD  
 DRAWN BY: PJ  
**3020, 3021**  
 DIMENSIONS ARE SUBJECT TO MANUFACTURERS TOLERANCE AND CHANGE WITHOUT NOTICE

F	3-22-19	Revised Variations	MW	CL	WEIGHT	VOLUME	FIGURE NUMBER
D	8-13-15	Revised Variations	TBW	CL	POUNDS	CUBIC FEET	<b>3020, 3021</b>
C	8-23-96	Added Millimeters	EMB	BS			
	7-12-94	Revised	EMB	BS			
REV.	DATE	DESCRIPTION	BY	CKD. BY			