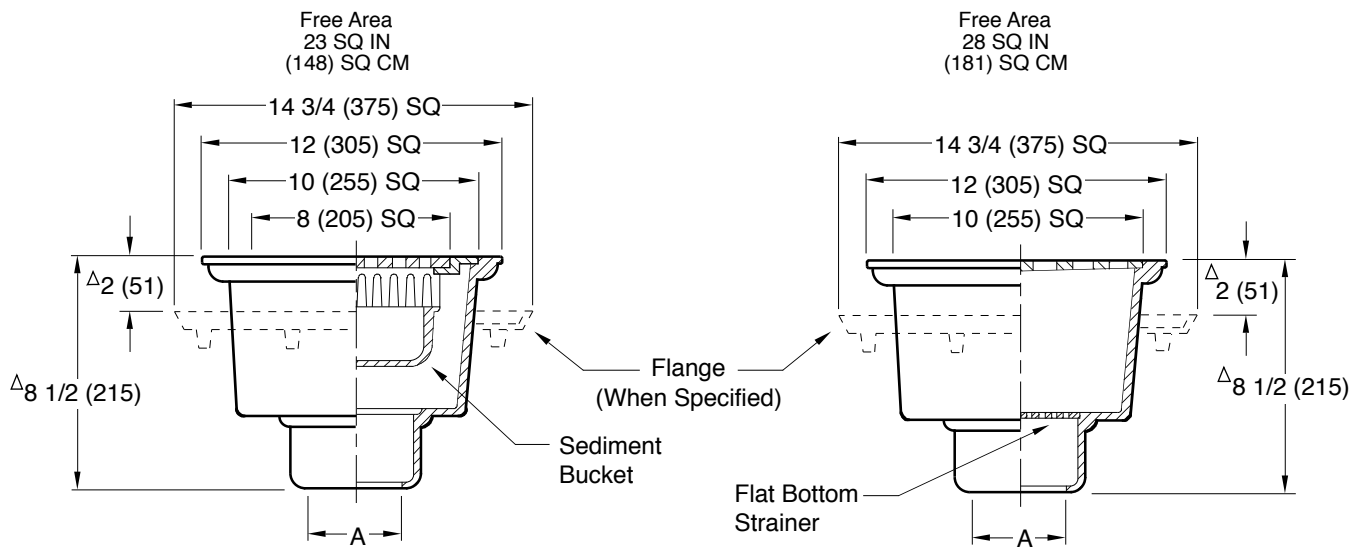


FLOOR DRAINS

LIGHT DUTY HOPPER DRAINS

Load Rating: Light Duty having a Safe Live (Static) Load less than 2,000 lbs. (900 kg) per ASME A112.6.3 Floor Drain Standard.
 For the specific Safe Live Load rating of any grate, contact the Smith representative or factory direct.



A (Pipe Size) = 02(50), 03(75) or 04(100)

SEDIMENT BUCKET

FLAT BOTTOM STRAINER

- | | |
|--|--|
| <input type="checkbox"/> Fig. 2630C . . . 12(305) x 12(305) WITH GRATE
<input type="checkbox"/> Fig. 2631C . . . 12(305) x 12(305) LESS GRATE | <input type="checkbox"/> Fig. 2632C . . . 12(305) x 12(305) WITH GRATE
<input type="checkbox"/> Fig. 2633C . . . 12(305) x 12(305) LESS GRATE |
|--|--|

Δ add 3/8"(10) when bronze top is specified

■ Meets U.S. Government Spec. WW-P-541b, Type 222.

REGULARLY FURNISHED:

Duco Cast Iron Body with or Less Grate and Bucket as indicated by Figure Number Selected.

VARIATIONS:

- Bell Trap -BT
- Flashing Flange -F
- Flashing Flange with Flashing Clamp -F-C
- Vandal Proof Top or Grate -U
- T Threaded Outlet
- White ABS Bucket -B (2632 Only)
- Quad Close Trap Seal (Specify Fig. 2692)

OPTIONAL MATERIALS:

- Ductile Iron Grate -M (Fig. 2632 only)
- Ductile Iron Grate & Bucket -MGB (Fig. 2630 only)
- Galvanized Cast Iron -G
- Nickel Bronze Top -NB
- Polished Bronze Top -PB

NOTE: Dimensions shown in parentheses are in millimeters.

DRAWING NUMBER
S2630

SIZE
A

SCALE:
NONE

DATE:
5-17-85

APPROVED BY:
TD

CHECKED BY:
TD

DRAWN BY:
PJ

2630, 2632

WE CAN ASSUME NO RESPONSIBILITY FOR USE OF SUPERSEDED OR VOID DATA

DIMENSIONS ARE SUBJECT TO MANUFACTURERS TOLERANCE AND CHANGE WITHOUT NOTICE

G	7-23-19	Added Load Rating	MW	JM	WEIGHT	VOLUME	FIGURE NUMBER
F	6-18-19	Removed Function	MW	JM	POUNDS	CUBIC FEET	2630, 2632
E	7-10-15	Revised Variations	TBW	CL			
D	6-10-14	Revised Variations	TBW	TWK			
REV.	DATE	DESCRIPTION	BY	CKD. BY			