

FLOOR DRAINS

SQUARE FLANGE WITH NICKEL BRONZE TRACTOR GRATE

FOR USE WITH WATERPROOF DECK COVERINGS FOR WOOD DECK OR CONCRETE CONSTRUCTION

FUNCTION: Used on promenade roof decks and roof recreational areas where waterproof traffic deck covering is to be installed. Wide flange allows adhesion of waterproof traffic deck covering, insuring watertight integrity, for particular use with wood deck construction.

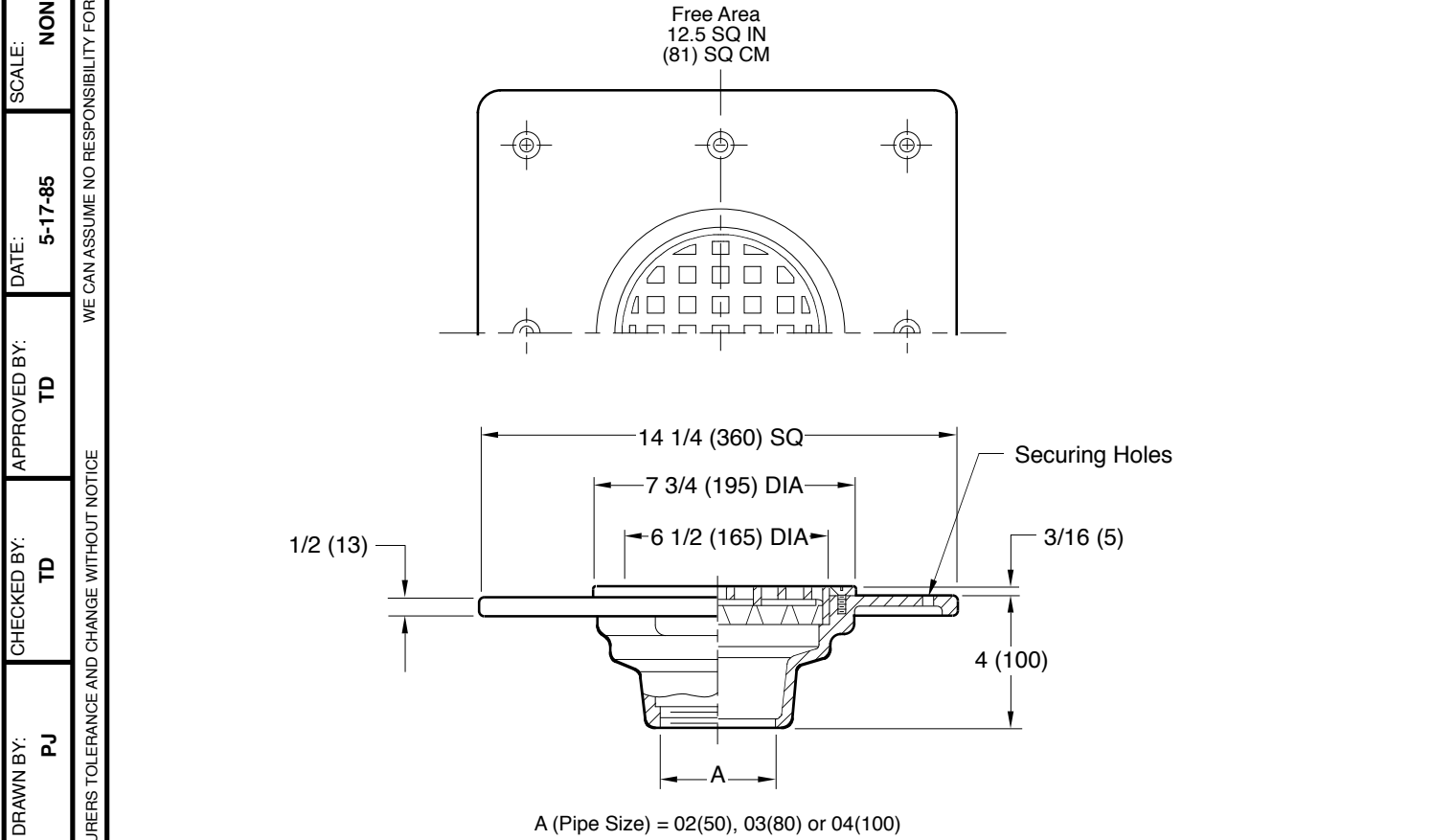


Fig. DX2568C . . . CAULK OUTLET
 Fig. DX2568T . . . THREADED OUTLET

- | | | |
|---------------------------------------------------------------------------------------------------------------|-----------------------------------------------------------------------------------------------------------------------------------------------------------------------------------------------------------------------------------------------------------------------------------------------------------------------------------------------------------------------------------------|------------------------------------------------------------------------------------------------------------------------------------------------------------------------------------------------|
| <p>REGULARLY FURNISHED:
 Duco Cast Iron Body with Nickel Bronze Tractor Grate and Rim.</p> | <p>VARIATIONS:</p> <ul style="list-style-type: none"> <input type="checkbox"/> NO-HUB Adaptor (Specify Fig. 2646Y) <input type="checkbox"/> Sediment Bucket -B <input type="checkbox"/> Vandal Proof Grate -U <input type="checkbox"/> Underdeck Clamp -UDC <input type="checkbox"/> Quad Close Trap Seal (Specify Fig. 2692) | <p>OPTIONAL MATERIALS:</p> <ul style="list-style-type: none"> <input type="checkbox"/> Galvanized Cast Iron -G <input type="checkbox"/> Polished Bronze Top -PB |
|---------------------------------------------------------------------------------------------------------------|-----------------------------------------------------------------------------------------------------------------------------------------------------------------------------------------------------------------------------------------------------------------------------------------------------------------------------------------------------------------------------------------|------------------------------------------------------------------------------------------------------------------------------------------------------------------------------------------------|

NOTE: Dimensions shown in parentheses are in millimeters.

DX2568

FIGURE NUMBER	E D C	7-17-15 04/22/04	Revised Variations Added UDC to Variations Added Millimeters	TBW JJ EMB	CL CL BS	WEIGHT POUNDS	VOLUME CUBIC FEET	FIGURE NUMBER DX2568
REV.	DATE	DESCRIPTION	BY	CKD. BY				