

C



**JAY R. SMITH MFG. CO.**  
 MEMBER OF MORRIS GROUP INTERNATIONAL  
 POST OFFICE BOX 3237  
 MONTGOMERY, ALABAMA 36109-0237 (USA)  
 TEL: 334-277-8520 FAX: 334-272-7396 www.jrsmith.com



MEMBER OF:

LOCATION

DRAWING NUMBER  
S2570SIZE  
ASCALE:  
NONEDATE:  
5-17-85APPROVED BY:  
TDCHECKED BY:  
TDDRAWN BY:  
PJ

2570

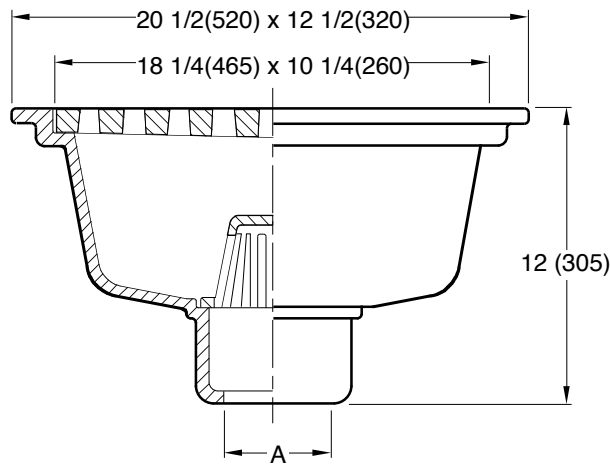
WE CAN ASSUME NO RESPONSIBILITY FOR USE OF SUPERSEDED OR VOID DATA  
DIMENSIONS ARE SUBJECT TO MANUFACTURERS TOLERANCE AND CHANGE WITHOUT NOTICE

# SPECIAL PURPOSE DRAINS

## HEAVY DUTY ROADWAY DRAIN

**FUNCTION:** Used in roadways, parking and trucking areas to handle both heavy traffic loads and a large volume of surface water. Internal dome strainer protects the waste system from entrance of debris.

Free Area  
 47 SQ IN  
 (303) SQ CM



A (Pipe Size) = 03(50), 04(100), 05(125) or 06(150)

Fig. 2570C . . . CAULK OUTLET

### REGULARLY FURNISHED:

Duco Cast Iron Body with Loose Set Grate and Dome Bottom Strainer.

### VARIATIONS:

Vandal Proof Grate -U  
 Quad Close Trap Seal  
 (Specify Fig. 2692)

### OPTIONAL MATERIALS:

Ductile Iron Grate -M  
 Galvanized Cast Iron -G

**NOTE:** Dimensions shown in parentheses are in millimeters.

REV.	DATE	DESCRIPTION	BY	CKD. BY	WEIGHT POUNDS	VOLUME CUBIC FEET	FIGURE NUMBER
C	7-8-15	Revised Variations Added Millimeters Submittal Update	TBW	CL			2570
B	4-10-97		EMB	BS			
A	11-10-93		EMB	BS			



**WARNING:** Cancer and Reproductive Harm - www.P65Warnings.ca.gov